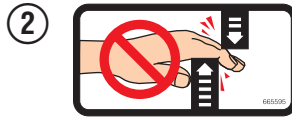
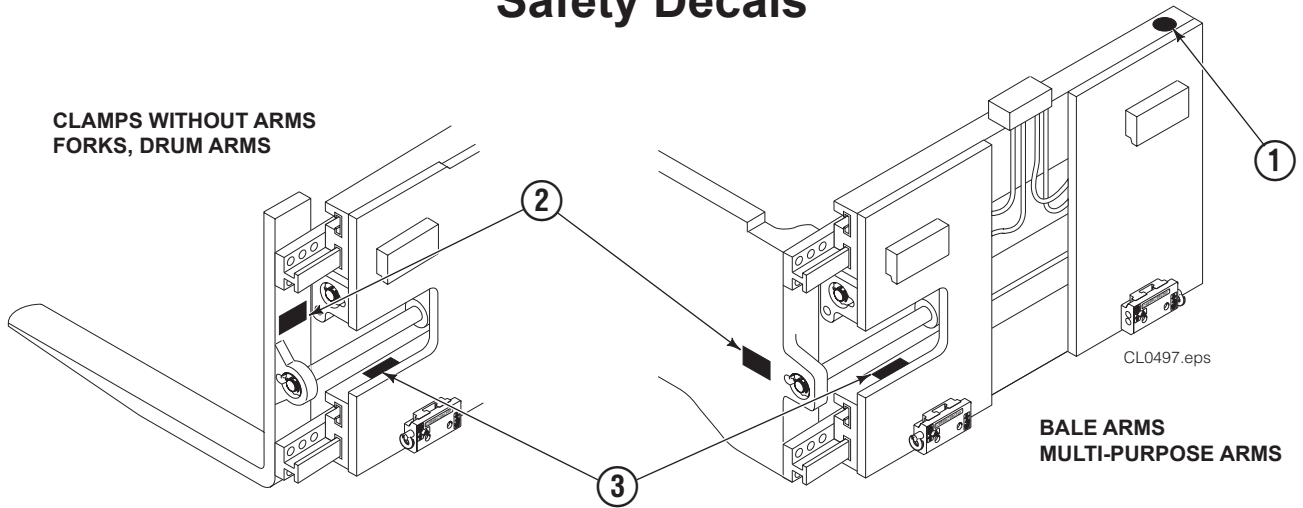
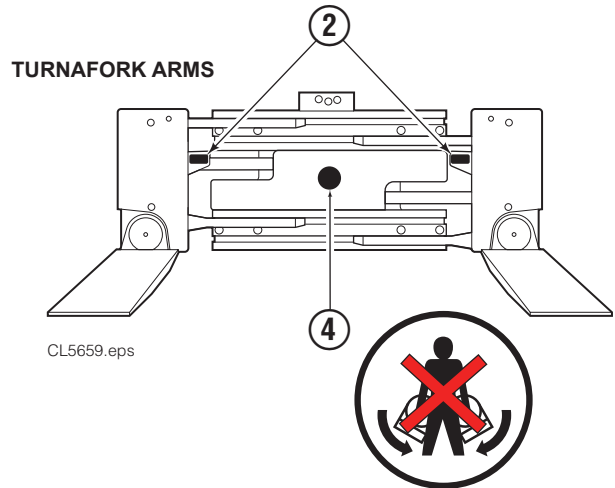




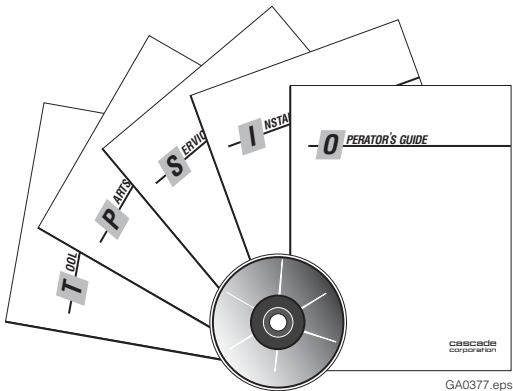
# Safety Decals



D-Clamp			
REF	QTY	PART NO.	DESCRIPTION
1	1	679150	No Step Decal
2	2	665595	No Hand Hold Decal
3	1	679059	Quick-Change Hook Decal
4	1	672046	TURNAFORK Arm Operation

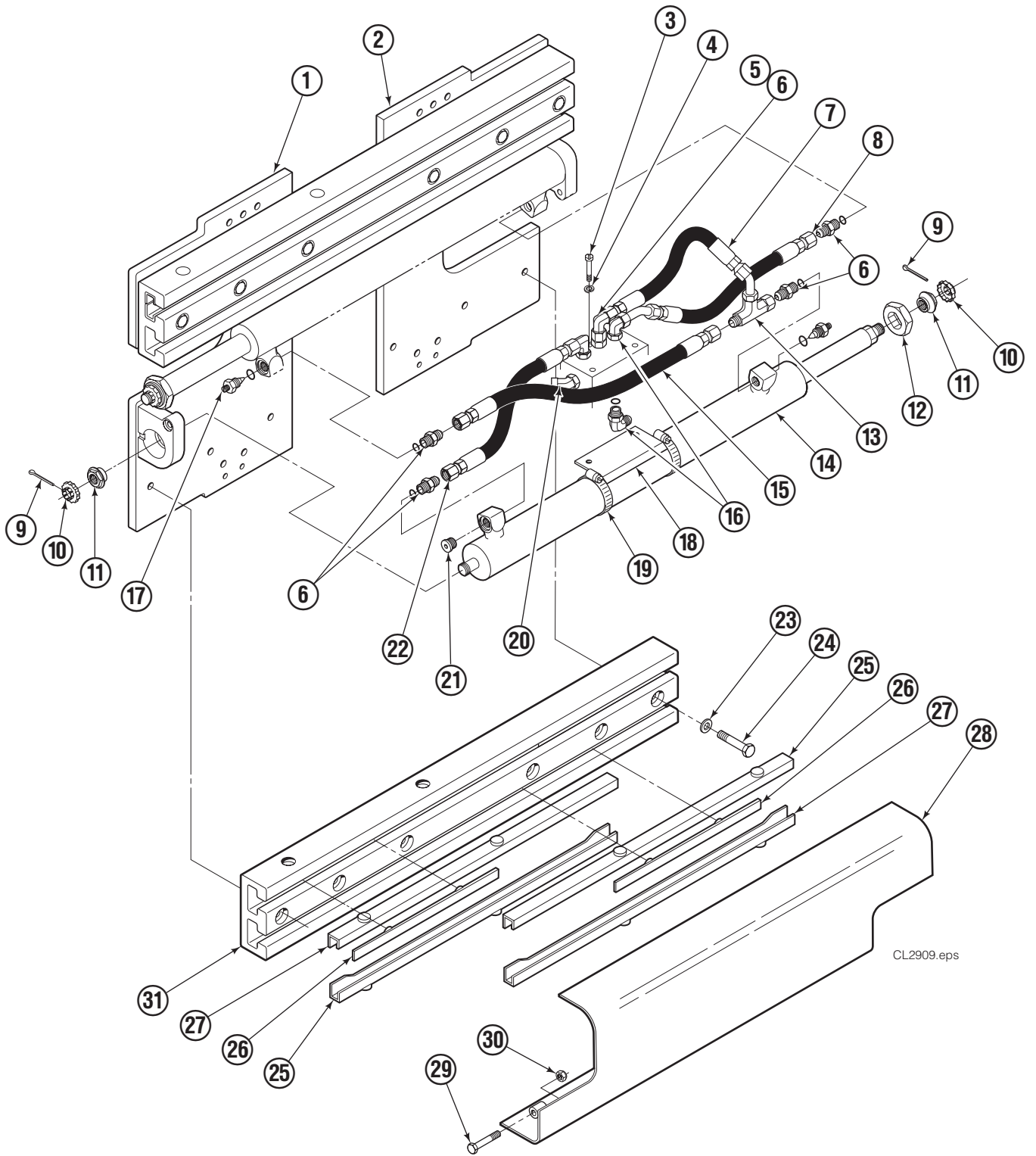


# Publications



D-Clamp	
669224	Service Manual
672944	Operator Guide
668987	Installation Instructions
679929	Tool Catalog

# Base Unit Group



# Base Unit Group

REF	QTY	PART NO.	DESCRIPTION
		795248	Base Unit Group
1	1	676101	Mounting Plate – RH
2	1	676098	Mounting Plate – LH
3	2	768532	Capscrew, M8 x 75
4	2	787389	Lockwasher, M8
5	1	605761	Fitting, 8-8
6	5	601377	Fitting, 8-8
7	1	681761	Hose, 9.5 in.
8	1	676111	Hose, 18.25 in.
9	4	6513	■ Cotter Pin
10	4	676110	■ Retainer
11	4	676109	■ Nut
12	2	676108	Washer
13	1	611330	Fitting, 8-8
14	2	676429	Cylinder ▲
15	1	676114	Hose, 18.5 in.
16	3	601250	Fitting, 8-8
17	2	667609	Restrictor Cartridge ●
18	1	795104	Bracket
19	2	644588	Clamp
20	1	611303	Fitting, 8-8
21	2	602580	Fitting, 8
22	1	676113	Hose, 17.0 in.
23	8	670692	Washer, 13/16
24	8	676793	Capscrew, M20 x 100
25	4	676104	Bearing
26	4	667663	Bearing
27	4	676105	Bearing
28	1	676106	Bumper
29	2	768560	Capscrew, M12 x 80
30	2	773842	Nut, M12
31	2	676103	Frame
	1	794780	Valve Assembly ◆
		678036	Nut Service Kit

■ Included in Nut Service Kit 678036.

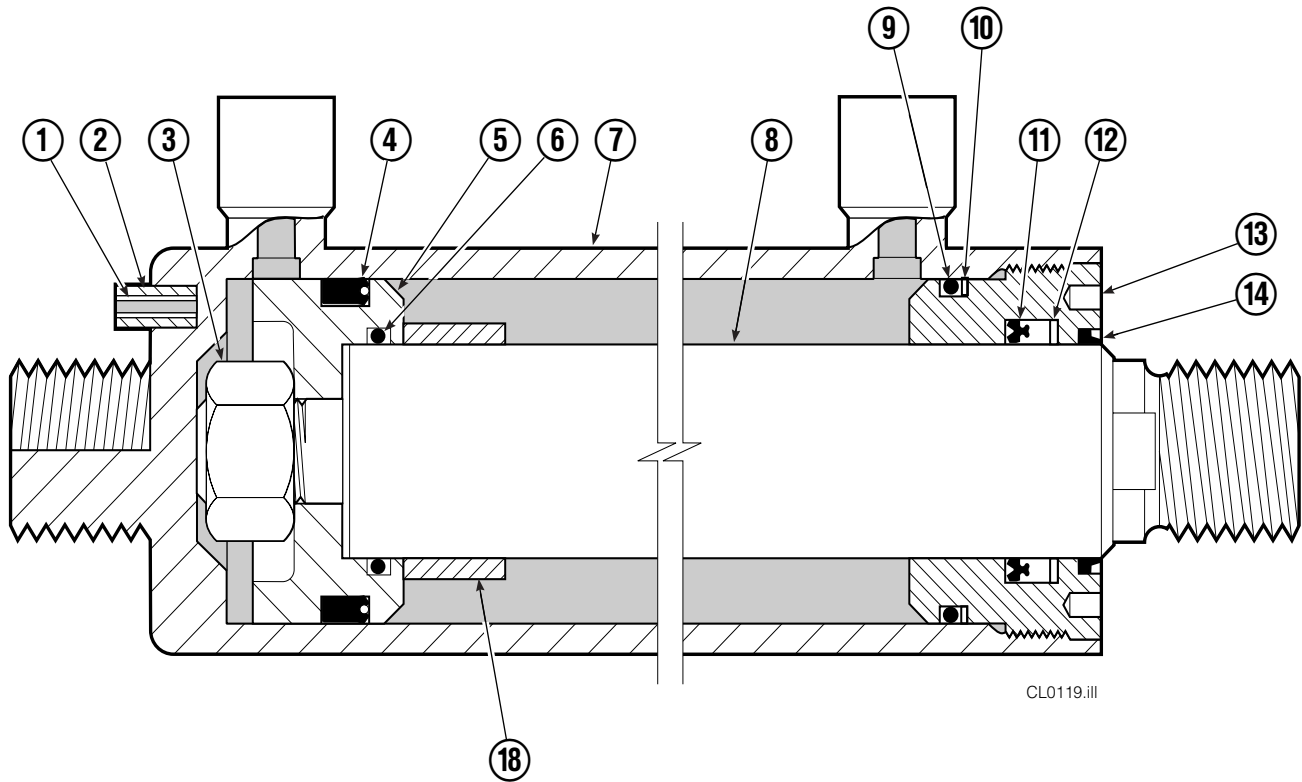
▲ See Cylinder page for parts breakdown.

● See Restrictor Cartridge page for parts breakdown.

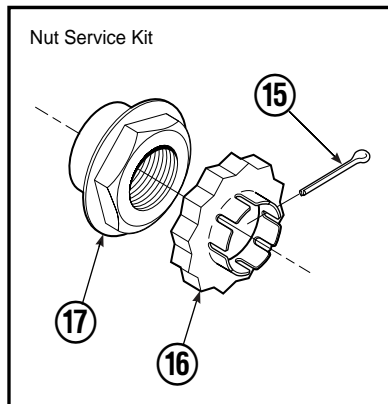
◆ See Valve Assembly page for parts breakdown.

Reference: Common Parts 795440, Valve Group 795441, SK-5368.  
Stock Unit 795245.

# Cylinder



CL0119.ill



70D			
REF	QTY	PART NO.	DESCRIPTION
		676429	Cylinder Assembly
1	1	7882	Roll Pin
2	1	7964	Roll Pin
3	1	560997	Nut
4	1	557574	● Seal
5	1	558405	Piston
6	1	2787	● O-Ring
7	1	556463	Shell
8	1	556464	Rod
9	1	2795	● O-Ring
10	1	615138	● Back-Up Ring
11	1	553520	● Seal
12	1	636701	● Back-Up Ring
13	1	556563	Retainer
14	1	624572	● Wiper
15	1	6513	▲ Cotter Pin
16	1	676110	▲ Retainer
17	1	676109	▲ Nut
18	1	-	Spacer
		556486	Service Kit
		678036	Nut Service Kit ★

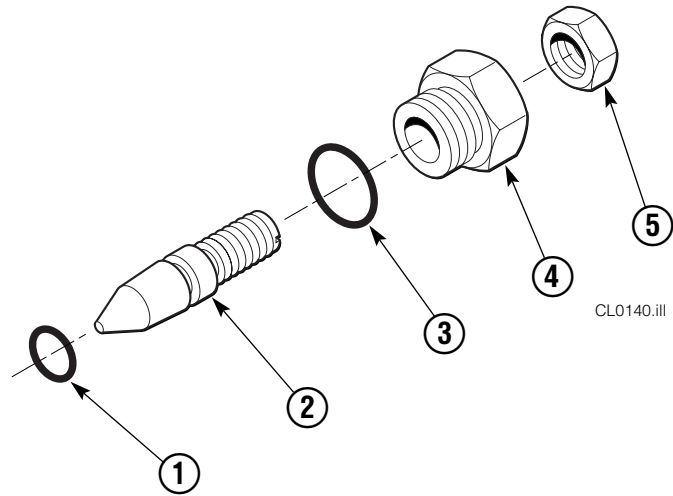
● Included in Service Kit 556486.

▲ Included in Service Kit 678036.

★ Not included in Cylinder Assembly.

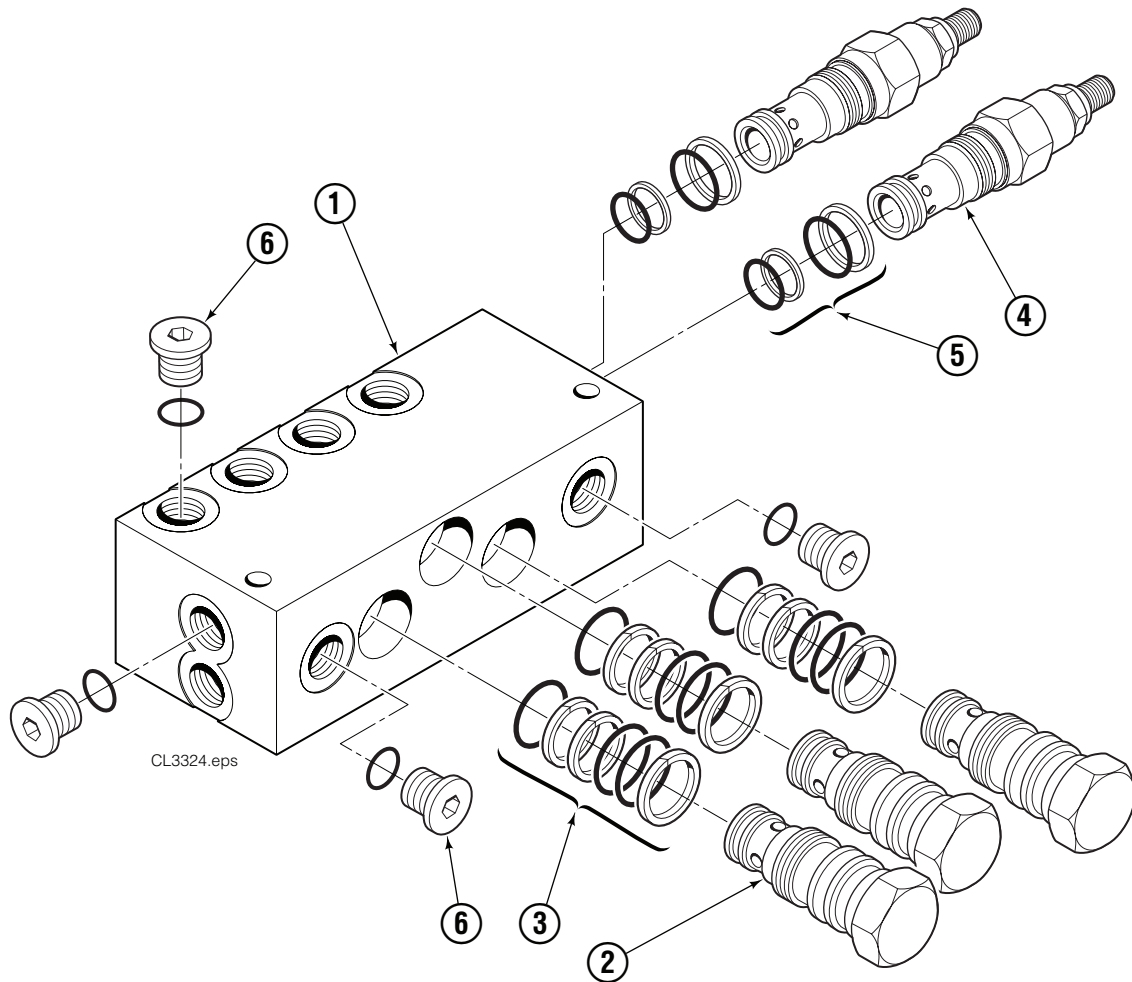
Reference: S-5259, S-5260.

# Restrictor Cartridge



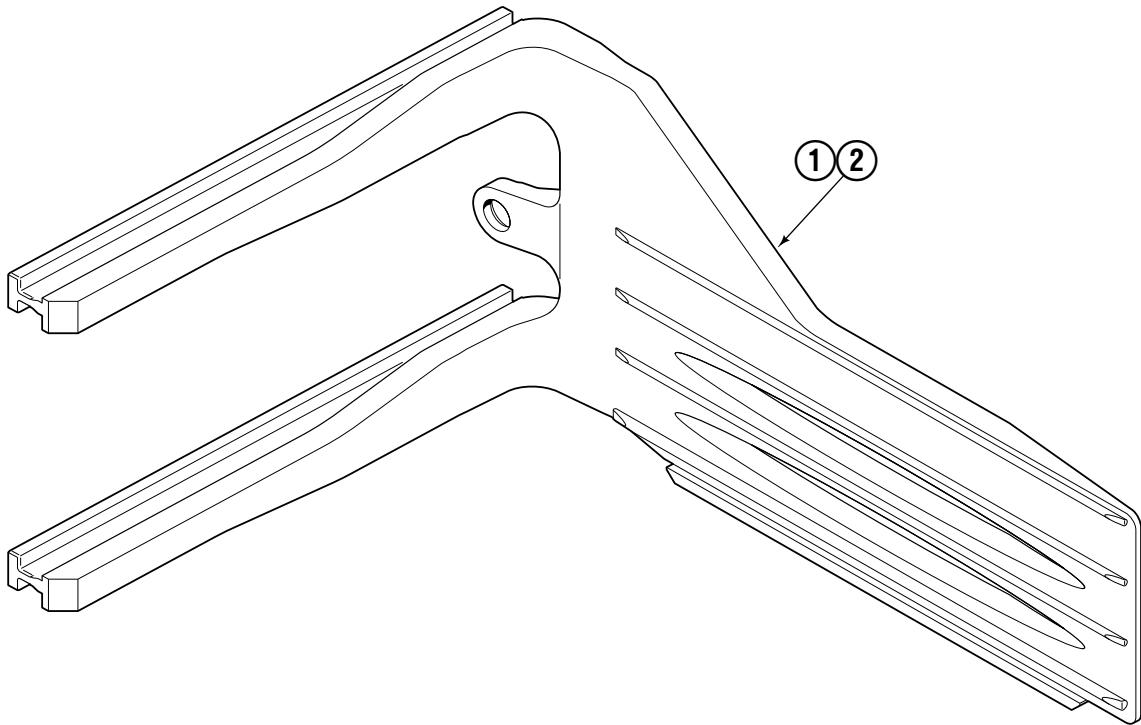
REF	QTY	PART NO.	DESCRIPTION
		667609	Restrictor Cartridge
1	1	2701	O-Ring
2	1	667611	Plunger
3	1	2841	O-Ring
4	1	667610	Plug - Special
5	1	5716	Jam Nut

# Valve Assembly



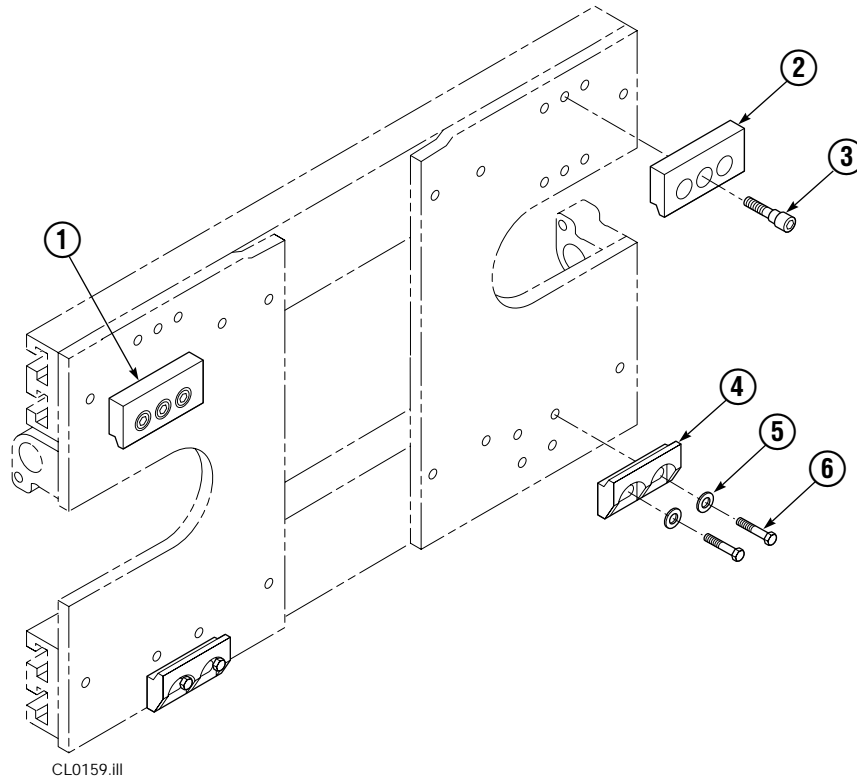
REF	QTY	PART NO.	DESCRIPTION
		794780	Valve Assembly
1	1	794441	Valve Body
2	3	661816	Check Valve – PO
3	3	656223	Service Kit
4	2	677400	Crossover Relief Valve
5	2	684625	Service Kit
6	4	602580	Fitting, 8

# Bale Arms



REF	QTY	PART NO.	DESCRIPTION
		6223037	Bale Arm Group
1	1	6223060	Bale Arm - LH
2	1	6223043	Bale Arm - RH

# Bolt-On Mounting Group



D78	CFK	B3DF @Až	67E5D;BF;A@
		*+*&	A ci bñb[ ; fci d'f
%	%	*+*&-	I ddYf<cc_` @<
&	%	*+*% \$	I ddYf<cc_` F<
'	*	*+*, (,	7 UdgWYk
(	&	++) - +&	@ck Yf<cc_`
)	(	*+*\$ - &	K Ug\Yf
*	(	++- \$&\$	7 UdgWYk



**Do you have questions you need answered right now?**

Call your nearest Cascade Parts Department.

Visit us online at [www.cascorp.com](http://www.cascorp.com)

**AMERICAS**

**Cascade Corporation  
Parts Sales**

2501 Sheridan Ave.  
Springfield, OH 45505  
Tel: 888-CASCADE (227-2233)  
Fax: 888-329-0234

**Cascade Canada Inc.**

5570 Timberlea Blvd.  
Mississauga, Ontario  
Canada L4W-4M6  
Tel: 905-629-7777  
Fax: 905-629-7785

**Cascade do Brasil**

Praça Salvador Rosa,  
131/141-Jordanópolis,  
São Bernardo do Campo - SP  
CEP 09891-430  
Tel: 55-13-2105-8800  
Fax: 55-13-2105-8899

**EUROPE-AFRICA**

**Cascade Italia S.R.L.  
European Headquarters**

Via Dell'Artigianato 1  
37030 Vago di Lavagno (VR)  
Italy  
Tel: 39-045-8989111  
Fax: 39-045-8989160

**Cascade (Africa) Pty. Ltd.**

PO Box 625, Isando 1600  
60A Steel Road  
Sparton, Kempton Park  
South Africa  
Tel: 27-11-975-9240  
Fax: 27-11-394-1147

**ASIA-PACIFIC**

**Cascade Japan Ltd.**

2-23, 2-Chome,  
Kukuchi Nishimachi  
Amagasaki, Hyogo  
Japan, 661-0978  
Tel: 81-6-6420-9771  
Fax: 81-6-6420-9777

**Cascade Korea**

121B 9L Namdong Ind.  
Complex, 691-8 Gojan-Dong  
Namdong-Ku  
Inchon, Korea  
Tel: +82-32-821-2051  
Fax: +82-32-821-2055

**Cascade-Xiamen**

No. 668 Yangguang Rd.  
Xinyang Industrial Zone  
Haicang, Xiamen City  
Fujian Province  
P.R. China 361026  
Tel: 86-592-651-2500  
Fax: 86-592-651-2571

**Cascade India Material  
Handling Private Limited**

No 34, Global Trade Centre  
1/1 Rambaugh Colony  
Lal Bahadur Shastri Road,  
Navi Peth, Pune 411 030  
(Maharashtra) India  
Phone: +91 020 2432 5490  
Fax: +91 020 2433 0881

**Cascade Australia Pty. Ltd.**

1445 Ipswich Road  
Rocklea, QLD 4107  
Australia  
Tel: 1-800-227-223  
Fax: +61 7 3373-7333

**Cascade New Zealand**

15 Ra Ora Drive  
East Tamaki, Auckland  
New Zealand  
Tel: +64-9-273-9136  
Fax: +64-9-273-9137

**Sunstream Industries  
Pte. Ltd.**

18 Tuas South Street 5  
Singapore 637796  
Tel: +65-6795-7555  
Fax: +65-6863-1368

