



# Parts Manual

---

Model \_\_\_\_\_ **Fork Positioner**

Serial Number \_\_\_\_\_ **70K-IFS-B105 R0**

---

**cascade**<sup>®</sup>  
**corporation**

**For Technical Assistance call:** 800-227-2233, Fax: 888-329-8207

**To Order Parts call:** 888-227-2233, Fax: 888-329-0234

**OR**

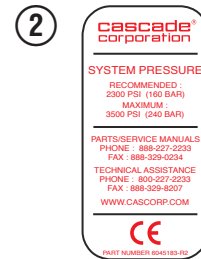
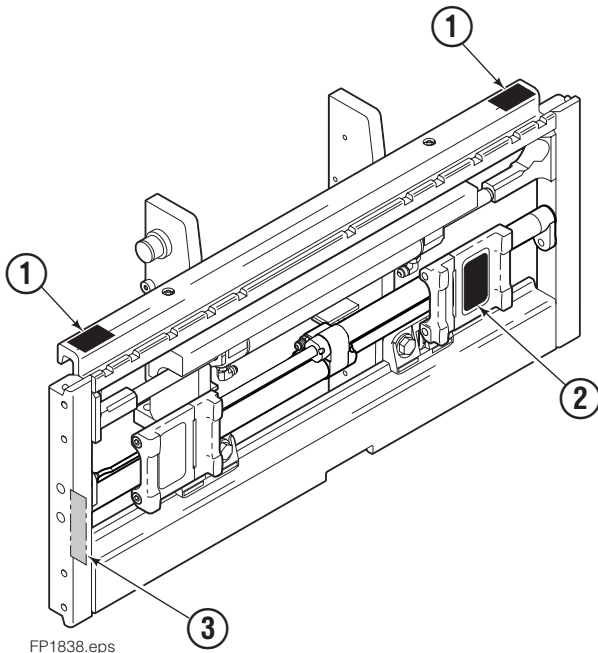
**Write:** Cascade Corporation, P.O. Box 20187, Portland, OR 97220

**Internet:** [www.cascorp.com](http://www.cascorp.com)

# Recommended Spare Parts

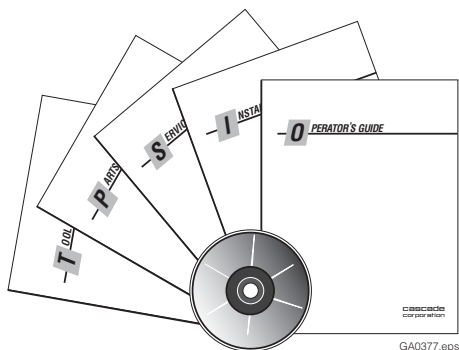
70K Integral Fork Positioner				
PART NUMBER	DESCRIPTION	ATTACHMENTS SERVICED		
		1-5	6-19	20-50
	<b>FORK POSITIONER</b>			
6055389	Cylinder Internal Service Kit	1	4	8
6055390	Composite Bearing Service Kit	1	2	4
6055391	Bronze Bearing Service Kit	1	2	4
6039245	Mounting Shims	8	12	16
	<b>INTEGRAL SIDESHIFTER</b>			
8508375	Upper Bearings	2	4	8
8508377	Lower Bearings	2	4	8
6019928	Cylinder Service Kit	2	4	8

## Safety Labels



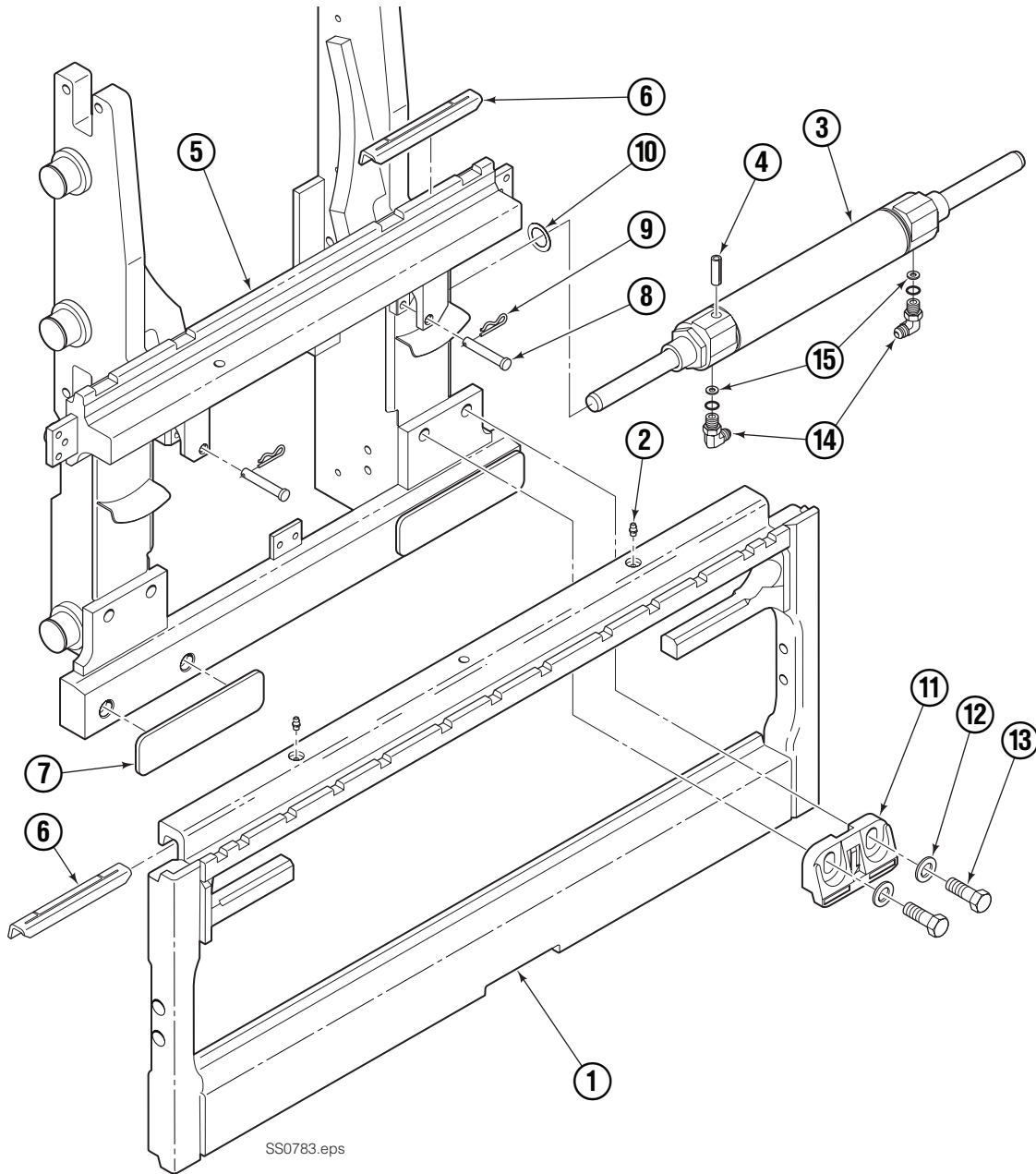
REF	QTY	PART NO.	DESCRIPTION
1	2	221906	Warning Decal
2	1	6045183	Info Decal
3	1	211701	Identification Decal

## Publications



6045671	User Manual (Operator's Guide, Installation, Periodic Maintenance, Parts)
6053927	Service Manual
679929	Tool Catalog

# Integral Sideshifter



70K							
REF	QTY	PART NO.	DESCRIPTION	REF	QTY	PART NO.	DESCRIPTION
1	1	6073571	Outer Frame	9	2	6022929	Cotter Pin
2	2	651853	Grease Fitting	10	3	6016591	Shim
3	1	6021760	Cylinder ▲	11	2	8508373	● Lower Hook
4	1	769050	Roll Pin	12	4	667225	● Washer
5	1	6076158	Inner Carriage	13	4	684295	● Capscrew, M16 x 35
6	2	8508375	Upper Bearing	14	2	666984	Fitting, 4-6 ■
7	2	8508377	Lower Bearing	15	2	221733	Restrictor Washer ◆
8	2	6016592	Clevis Pin				

▲ See Cylinder page for parts breakdown.

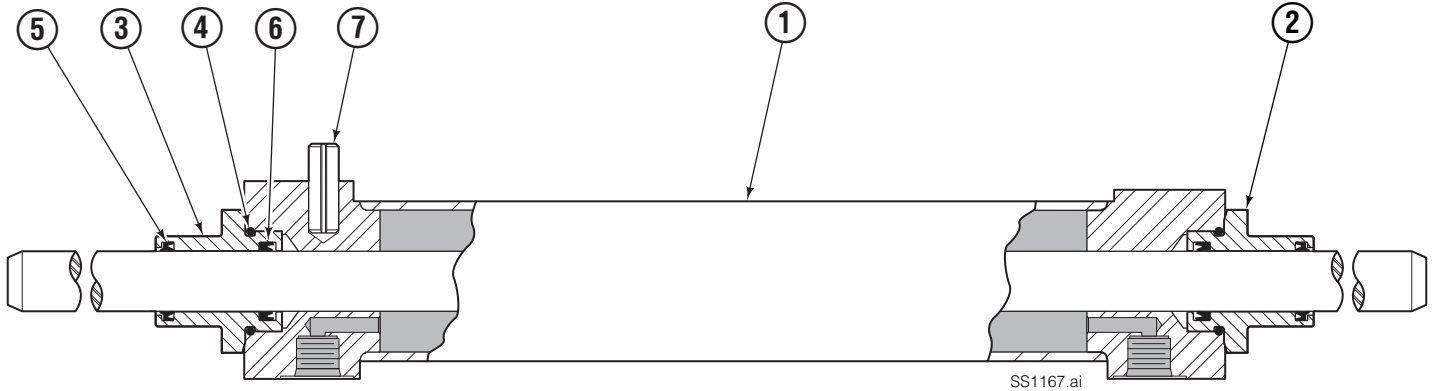
● Included in Lower Hook Group 6018267.

Reference: Common Parts 6018848, S-23160, S-22831 Type 1.

■ Included in Fitting Group 205747.

◆ Included in Restrictor Washer Group 221732.

# Cylinder Assembly



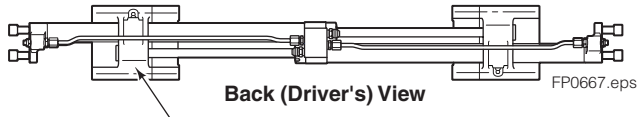
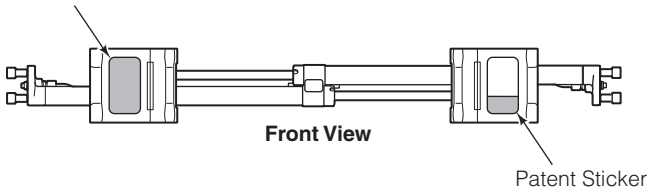
SS1167.ai

REF	QTY	PART NO.	DESCRIPTION
		6021760	Cylinder Assembly
1	1	◆	Cylinder Weldment
2	2	6017490	Retainer Assembly ●
3	1	6016571	Threaded Retainer
4	1	415866	O-Ring
5	1	562131	Seal Wiper
6	1	562132	Rod Seal
7	1	769050	Roll Pin

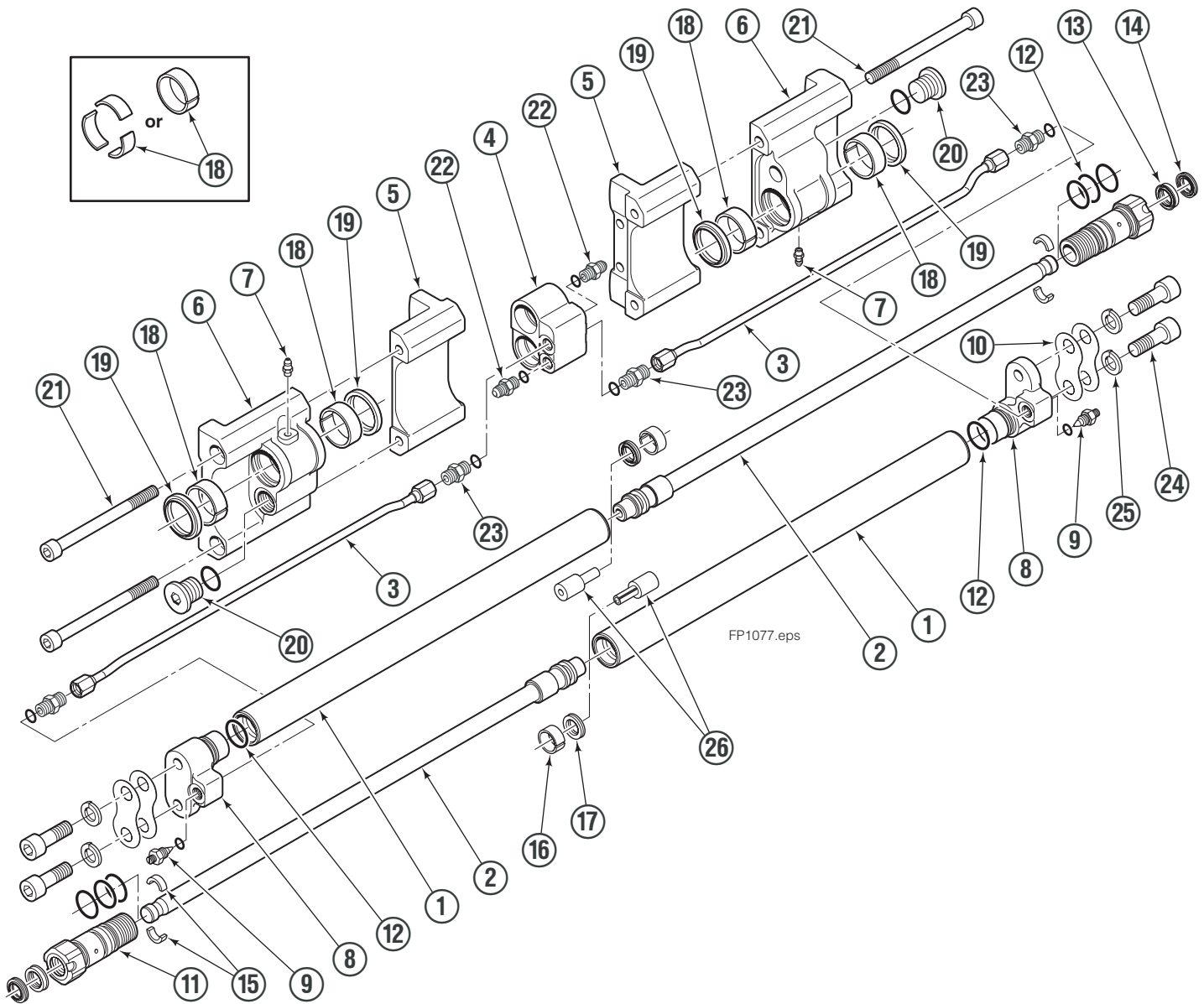
- ◆ Not serviceable.  
Order complete cylinder if replacement needed.
  - Includes items 3-6.
- Reference: S-21155.

# Fork Positioner Assembly

Sticker showing operating pressure,  
phone numbers for service & parts.



Assembly part number (on LH fork carrier).



# Fork Positioner Assembly

70K			
REF	QTY	PART NO.	DESCRIPTION
		6056294	Fork Positioner Assembly
1	2	6056139	Cylinder Shell ▲
2	2	6056140	Cylinder Rod ▲
3	2	6056142	Tube
4	1	6043391	Manifold
5	2	6052301	Fork Carrier, Inner, 80/122 mm Fork
6	2	6042449	Fork Carrier, Outer
7	2	424115	Grease Fitting
8	2	6052709	Cylinder Head End
9	2	6042658	Restrictor Fitting
10	4	6039245	Shim
11	2	6039028	Cylinder Retainer
	2	6055787	Cylinder Retainer w/Seals ◆
12	8	666183	O-Ring, Retainer OD ✖
13	2	6039179	Rod Seal, Retainer ✖
14	2	6039180	Rod Wiper, Retainer ✖
15	4	6042830	Half-Ring Keeper
16	2	6039172	Piston Wear Ring ✖
17	2	6047577	Piston Seal ✖
18	4	6039171	Bearing, Composite ★
	12	6045405	Bearing, Bronze ▶
19	4	6043341	Shell Wiper ★▶
20	2	6043316	Rod Retainer Plug
21	4	768824	Capscrew, M10 x 120
22	2	6043332	Fitting, M10 to No. 4 JIC ●
23	4	6042689	Fitting, M10 to 6mm EO-2
24	4	769572	Capscrew, M12 x 35 ■
25	4	684660	Lockwasher, M12 ■
26	2	6055038	Spacer

▲ If cylinder shell or rod needs replacing due to bending damage, order complete Fork Positioner Assembly.

◆ Includes items 12-14.

✖ Included in Cylinder Service Kit 6055389.

★ Included in Composite Bearing Service Kit 6055390.

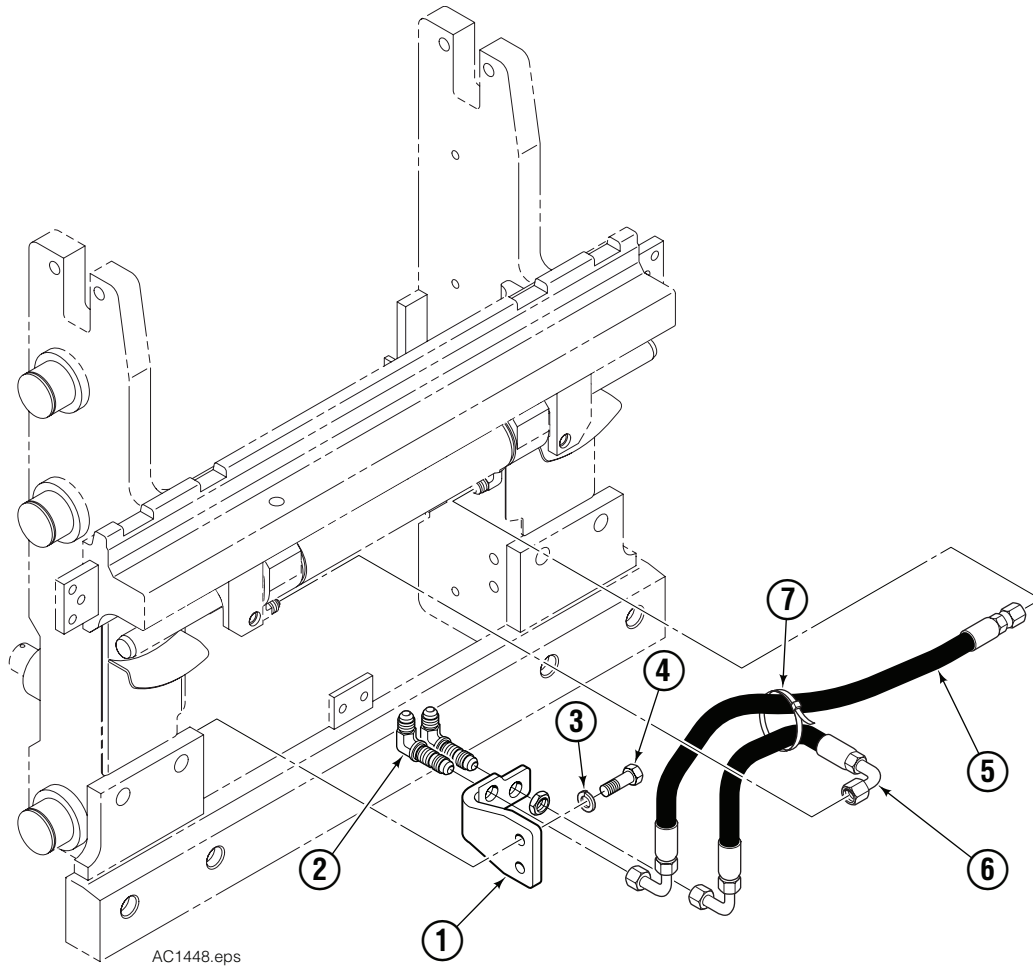
▶ Included in Bronze Bearing Service Kit 6055391.

● Included in Fitting Group 6045440.

■ Included in Mounting Kit 6045442.

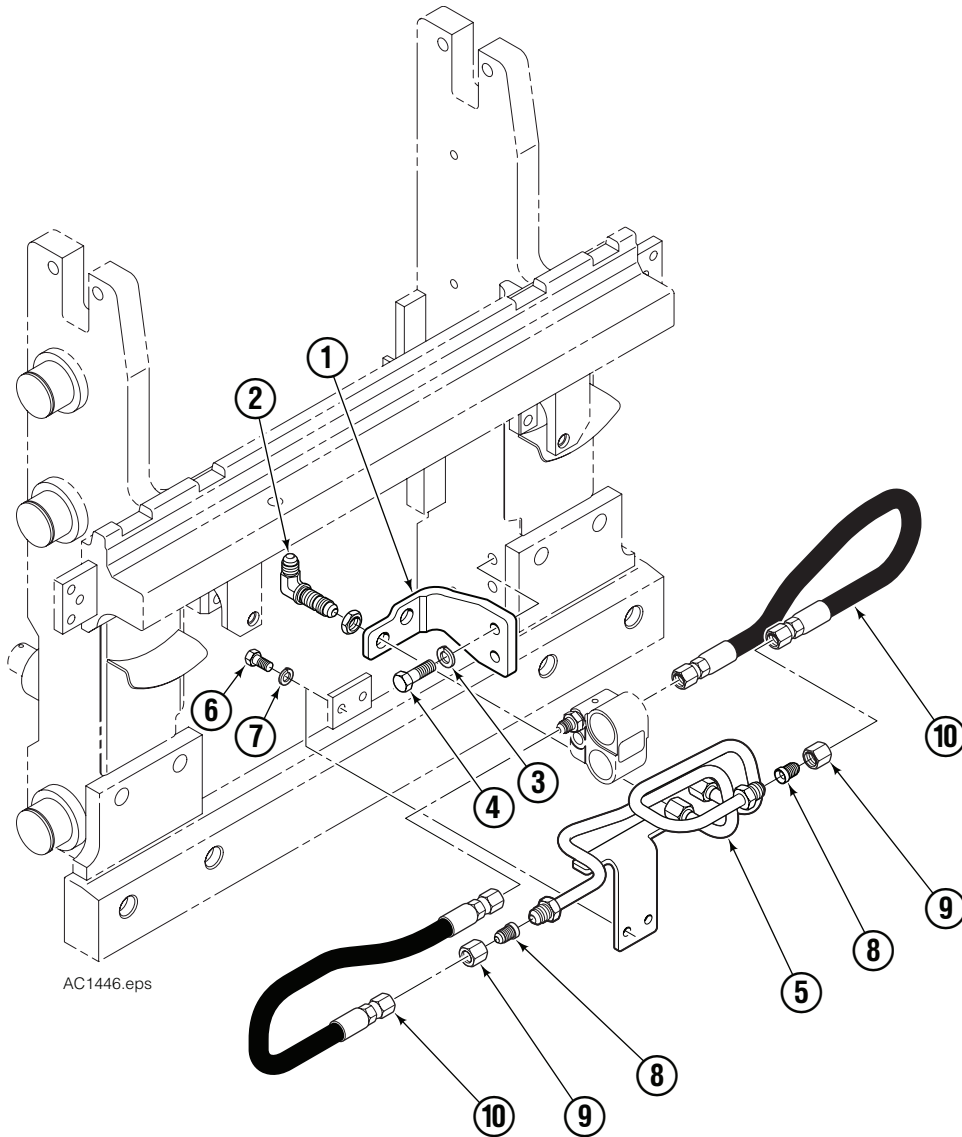
Reference: Common Parts 6056272, 6056273, SK-8737.

# Installation Kit Toyota V-Mast



70K			
REF	QTY	PART NO.	DESCRIPTION
		6076109	Installation Kit
1	1	6073320	Bracket
2	2	2453	Fitting, 6-6
3	2	787383	Lockwasher, M10
4	2	768538	Capscrew, M10 x 30
5	1	6068344	Hose
6	1	6068343	Hose
7	1	200343	Cable Tie

# Installation Kit Toyota V-Mast



AC1446.eps

70K			
REF	QTY	PART NO.	DESCRIPTION
		6076139	Installation Kit
1	1	6073318	Bracket
2	2	2453	Fitting, 6-6
3	2	787383	Lockwasher, M10
4	2	768538	Capscrew, M10 x 30
5	1	6076142	Tube Weldment
6	2	767961	Capscrew, M8 x 16
7	2	787389	Lockwasher, M8
8	2	2669	Fitting, 6-4
9	2	2617	Nut, 6
10	2	6050405	Hose



**Do you have questions you need answered right now?**

Call your nearest Cascade Parts Department.

Visit us online at [www.cascorp.com](http://www.cascorp.com)

**AMERICAS**

**Cascade Corporation  
Parts Sales**

2501 Sheridan Ave.  
Springfield, OH 45505  
Tel: 888-CASCADE (227-2233)  
Fax: 888-329-0234

**Cascade Canada Inc.**

5570 Timberlea Blvd.  
Mississauga, Ontario  
Canada L4W-4M6  
Tel: 905-629-7777  
Fax: 905-629-7785

**Cascade do Brasil**

Praça Salvador Rosa,  
131/141-Jordanópolis,  
São Bernardo do Campo - SP  
CEP 09891-430  
Tel: 55-13-2105-8800  
Fax: 55-13-2105-8899

**EUROPE-AFRICA**

**Cascade Italia S.R.L.  
European Headquarters**

Via Dell'Artigianato 1  
37030 Vago di Lavagno (VR)  
Italy  
Tel: 39-045-8989111  
Fax: 39-045-8989160

**Cascade (Africa) Pty. Ltd.**

PO Box 625, Isando 1600  
60A Steel Road  
Sparton, Kempton Park  
South Africa  
Tel: 27-11-975-9240  
Fax: 27-11-394-1147

**ASIA-PACIFIC**

**Cascade Japan Ltd.**

2-23, 2-Chome,  
Kukuchi Nishimachi  
Amagasaki, Hyogo  
Japan, 661-0978  
Tel: 81-6-6420-9771  
Fax: 81-6-6420-9777

**Cascade Korea**

121B 9L Namdong Ind.  
Complex, 691-8 Gojan-Dong  
Namdong-Ku  
Inchon, Korea  
Tel: +82-32-821-2051  
Fax: +82-32-821-2055

**Cascade-Xiamen**

No. 668 Yangguang Rd.  
Xinyang Industrial Zone  
Haicang, Xiamen City  
Fujian Province  
P.R. China 361026  
Tel: 86-592-651-2500  
Fax: 86-592-651-2571

**Cascade India Material  
Handling Private Limited**

Office No.21, 3rd Floor,  
Lokmanya House,  
Plot No.44, Sr. No. 89/90,  
CTS No.950,  
Lokmanya Colony, Paud Rd.,  
Kothrud, Pune-411038  
Phone : +91 955 250 3060

**Cascade Australia Pty. Ltd.**

1445 Ipswich Road  
Rocklea, QLD 4107  
Australia  
Tel: 1-800-227-223  
Fax: +61 7 3373-7333

**Cascade New Zealand**

15 Ra Ora Drive  
East Tamaki, Auckland  
New Zealand  
Tel: +64-9-273-9136  
Fax: +64-9-273-9137

**Sunstream Industries  
Pte. Ltd.**

18 Tuas South Street 5  
Singapore 637796  
Tel: +65-6795-7555  
Fax: +65-6863-1368

