



Parts Manual

Model _____ **Fork Positioner**

Serial Number _____ **70K-IFS-B103 R0**

cascade[®]
corporation

For Technical Assistance call: 800-227-2233, Fax: 888-329-8207

To Order Parts call: 888-227-2233, Fax: 888-329-0234

OR

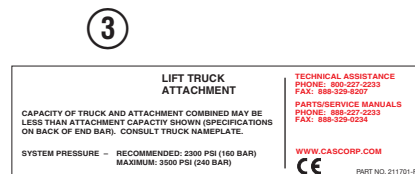
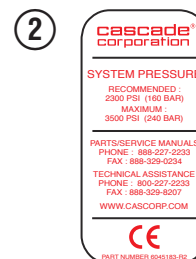
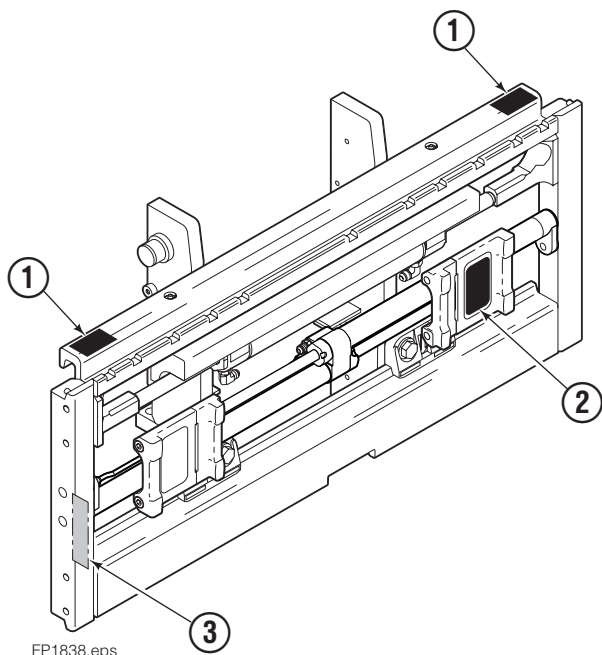
Write: Cascade Corporation, P.O. Box 20187, Portland, OR 97220

Internet: www.cascorp.com

Recommended Spare Parts

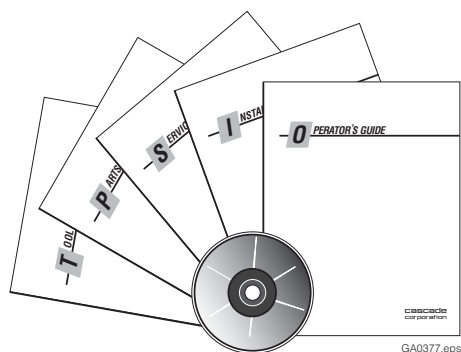
70K Integral Fork Positioner				
PART NUMBER	DESCRIPTION	ATTACHMENTS SERVICED		
		1-5	6-19	20-50
	FORK POSITIONER			
6055389	Cylinder Internal Service Kit	1	4	8
6055390	Composite Bearing Service Kit	1	2	4
6055391	Bronze Bearing Service Kit	1	2	4
6039245	Mounting Shims	8	12	16
	INTEGRAL SIDESHIFTER			
8508375	Upper Bearings	2	4	8
8508377	Lower Bearings	2	4	8
6019928	Cylinder Service Kit	2	4	8

Safety Labels



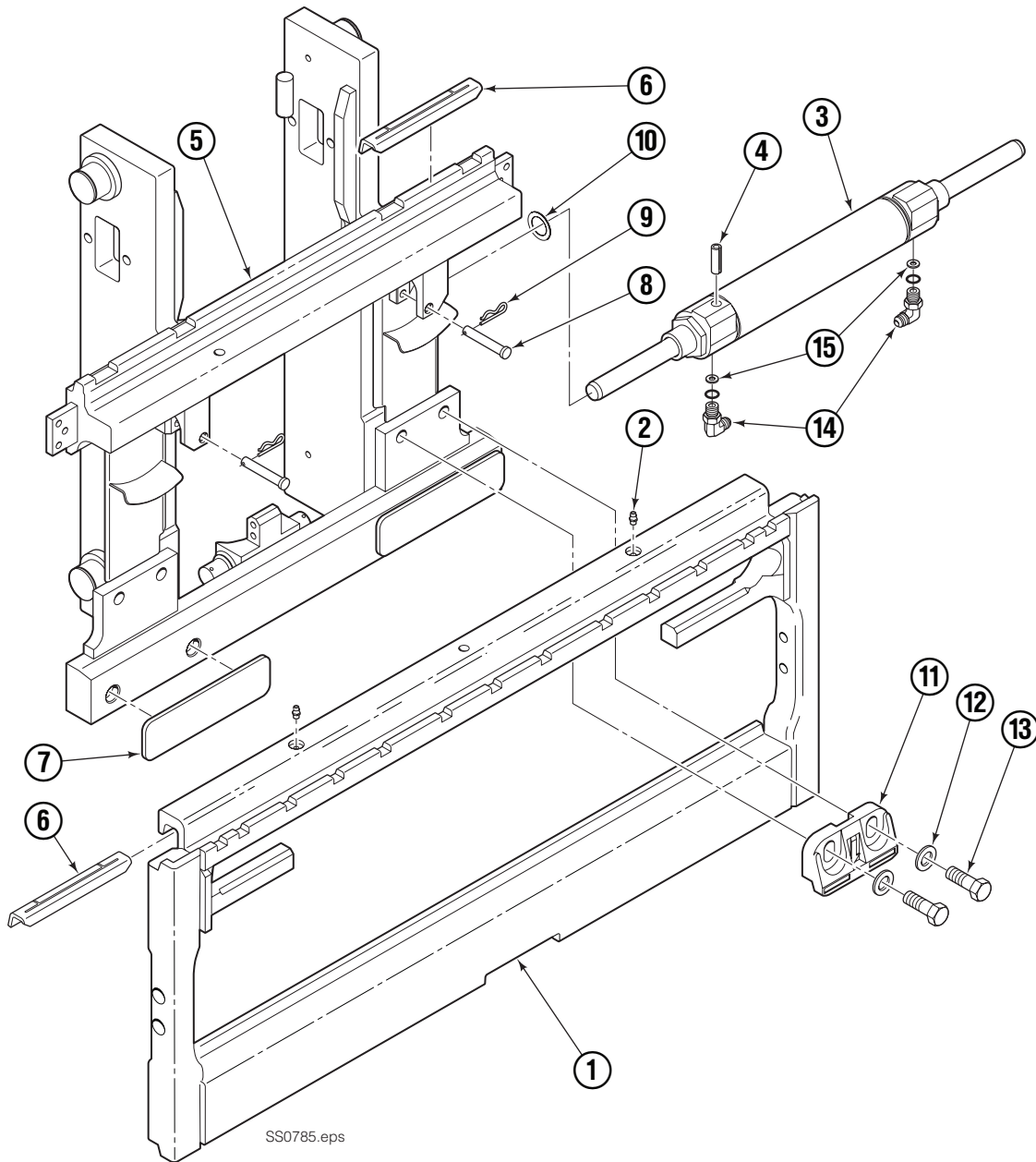
REF	QTY	PART NO.	DESCRIPTION
1	2	221906	Warning Decal
2	1	6045183	Info Decal
3	1	211701	Identification Decal

Publications



6045671	User Manual (Operator's Guide, Installation, Periodic Maintenance, Parts)
6053927	Service Manual
679929	Tool Catalog

Integral Sideshifter



70K							
REF	QTY	PART NO.	DESCRIPTION	REF	QTY	PART NO.	DESCRIPTION
1	1	6073571	Outer Frame	9	2	6022929	Cotter Pin
2	2	651853	Grease Fitting	10	3	6016591	Shim
3	1	6021760	Cylinder ▲	11	2	8508373	● Lower Hook
4	1	769050	Roll Pin	12	4	667225	● Washer
5	1	6076008	Inner Carriage	13	4	684295	● Capscrew, M16 x 35
6	2	8508375	Upper Bearing	14	2	666984	Fitting, 4-6 ■
7	2	8508377	Lower Bearing	15	2	221733	Restrictor Washer ◆
8	2	6016592	Clevis Pin				

▲ See Cylinder page for parts breakdown.

● Included in Lower Hook Group 6018267.

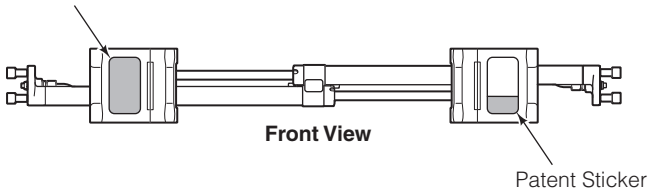
Reference: Common Parts 6018848, S-23157, S-22831 Type 1.

■ Included in Fitting Group 205747.

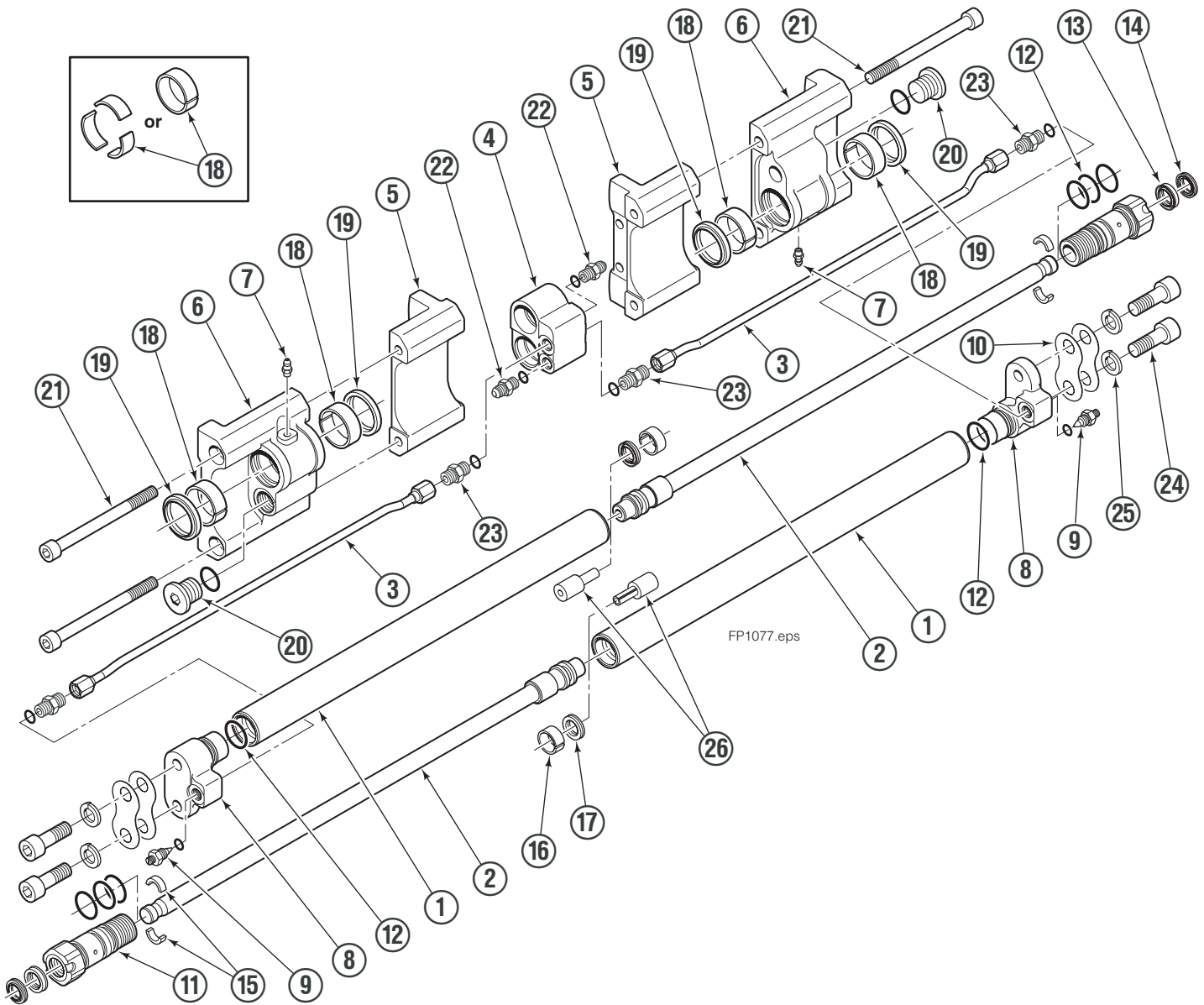
◆ Included in Restrictor Washer Group 221732.

Fork Positioner Assembly

Sticker showing operating pressure,
phone numbers for service & parts.



Assembly part number (on LH fork carrier).



Fork Positioner Assembly

70K			
REF	QTY	PART NO.	DESCRIPTION
		6056294	Fork Positioner Assembly
1	2	6056139	Cylinder Shell ▲
2	2	6056140	Cylinder Rod ▲
3	2	6056142	Tube
4	1	6043391	Manifold
5	2	6052301	Fork Carrier, Inner, 80/122 mm Fork
6	2	6042449	Fork Carrier, Outer
7	2	424115	Grease Fitting
8	2	6052709	Cylinder Head End
9	2	6042658	Restrictor Fitting
10	4	6039245	Shim
11	2	6039028	Cylinder Retainer
	2	6055787	Cylinder Retainer w/Seals ◆
12	8	666183	O-Ring, Retainer OD ✖
13	2	6039179	Rod Seal, Retainer ✖
14	2	6039180	Rod Wiper, Retainer ✖
15	4	6042830	Half-Ring Keeper
16	2	6039172	Piston Wear Ring ✖
17	2	6047577	Piston Seal ✖
18	4	6039171	Bearing, Composite ★
	12	6045405	Bearing, Bronze ✓
19	4	6043341	Shell Wiper ★ ✓
20	2	6043316	Rod Retainer Plug
21	4	768824	Capscrew, M10 x 120
22	4	6042689	Fitting, M10 to 6 mm EO-2
23	2	6043332	Fitting, M10 to No. 4 JIC ●
24	4	769572	Capscrew, M12 x 35 ■
25	4	684660	Lockwasher, M12 ■
26	2	6055038	Spacer

▲ If cylinder shell or rod needs replacing due to bending damage, order complete Fork Positioner Assembly.

◆ Includes items 12-14.

✖ Included in Cylinder Service Kit 6055389.

★ Included in Composite Bearing Service Kit 6055390.

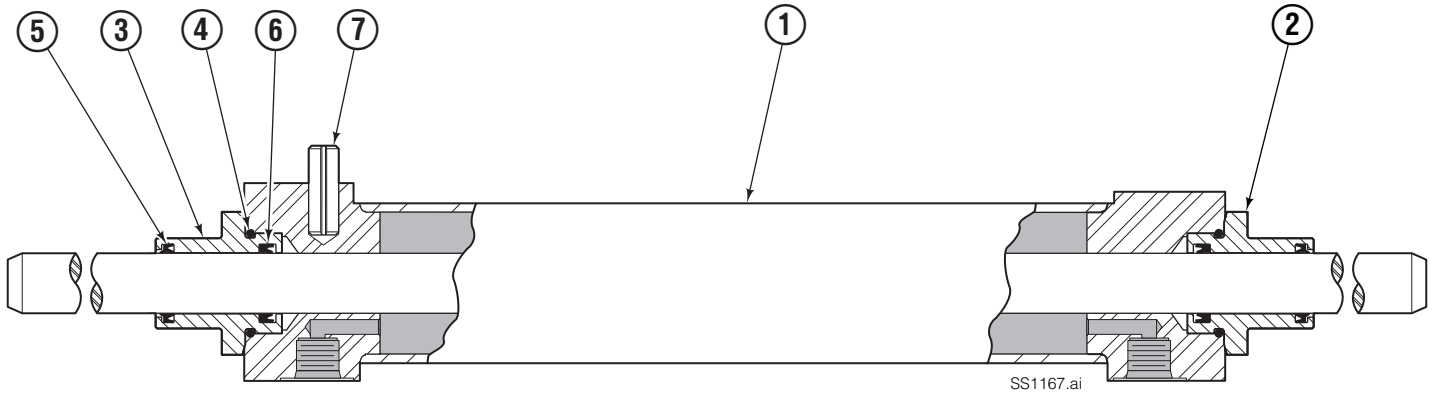
✓ Included in Bronze Bearing Service Kit 6055391.

● Included in Fitting Group 6045440.

■ Included in Mounting Kit 6045442.

Reference: Common Parts 6056272, 6056273, SK-8737.

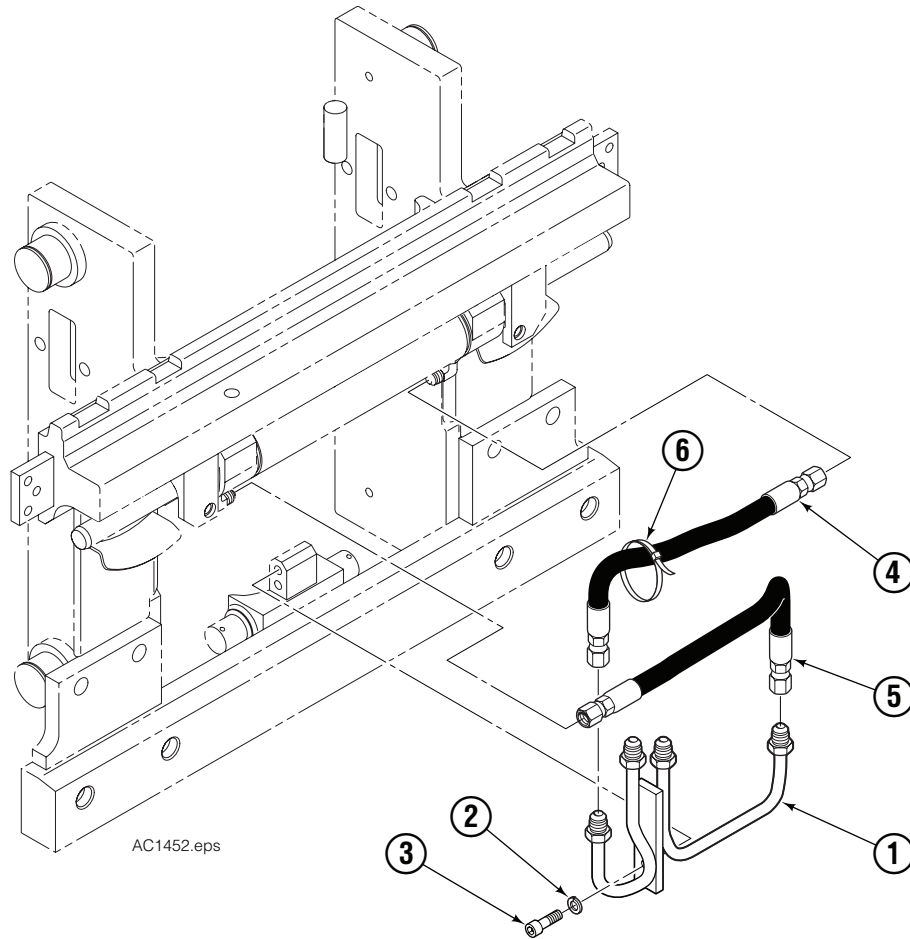
Cylinder Assembly



REF	QTY	PART NO.	DESCRIPTION
		6021760	Cylinder Assembly
1	1	◆	Cylinder Weldment
2	2	6017490	Retainer Assembly ●
3	1	6016571	Threaded Retainer
4	1	415866	O-Ring
5	1	562131	Seal Wiper
6	1	562132	Rod Seal
7	1	769050	Roll Pin

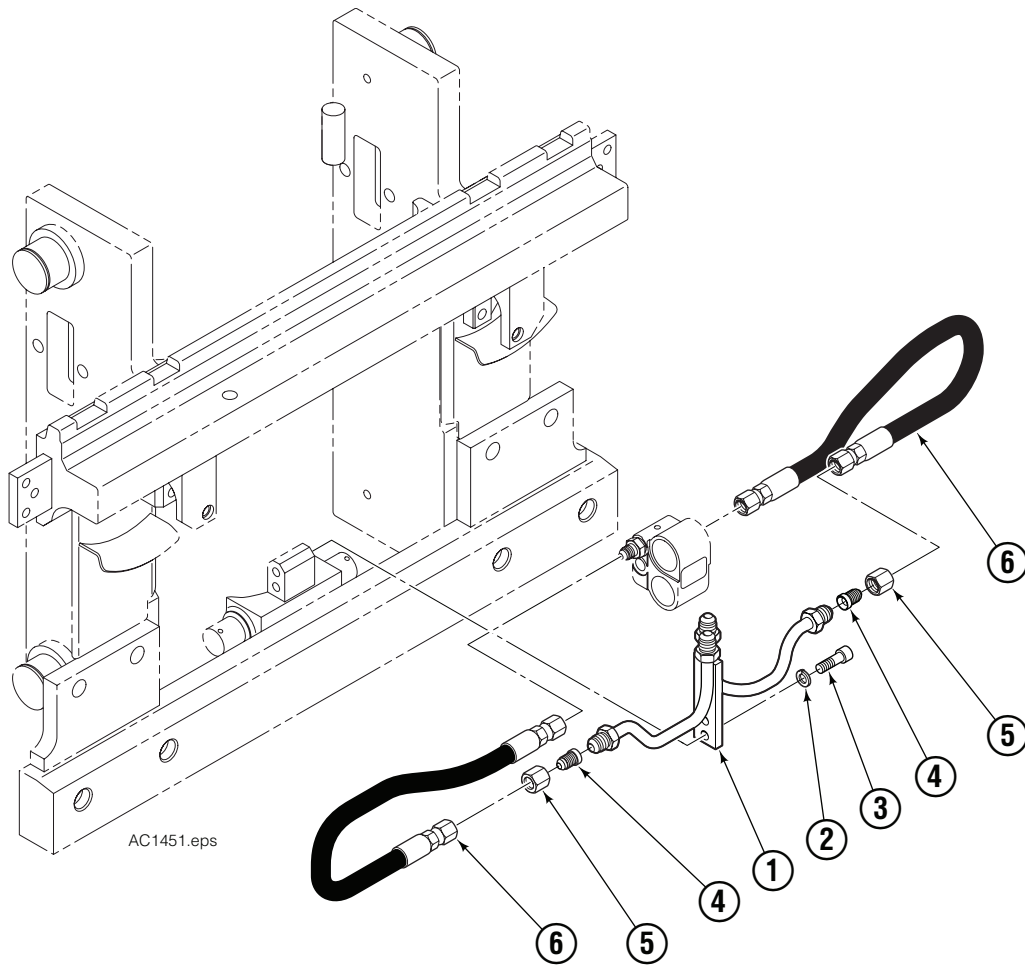
- ◆ Not serviceable.
Order complete cylinder if replacement needed.
 - Includes items 3-6.
- Reference: S-21155.

Installation Kit Toyota



70K			
REF	QTY	PART NO.	DESCRIPTION
		6073537	Installation Kit
1	1	6074465	Tube Weldment
2	2	787384	Lockwasher, M8
3	2	768208	Capscrew, M8 x 25
4	1	6073546	Hose
5	1	6073546	Hose
6	2	200343	Cable Tie

Installation Kit Toyota



70K			
REF	QTY	PART NO.	DESCRIPTION
		6074453	Installation Kit
1	1	6074454	Tube Weldment
2	2	787384	Lockwasher, M8
3	2	768208	Capscrew, M8 x 25
4	2	2669	Fitting, 6-4
5	2	2617	Nut, 6
6	2	6050405	Hose

Do you have questions you need answered right now?

Call your nearest Cascade Parts Department.

Visit us online at www.cascorp.com

AMERICAS

**Cascade Corporation
Parts Sales**

2501 Sheridan Ave.
Springfield, OH 45505
Tel: 888-CASCADE (227-2233)
Fax: 888-329-0234

Cascade Canada Inc.

5570 Timberlea Blvd.
Mississauga, Ontario
Canada L4W-4M6
Tel: 905-629-7777
Fax: 905-629-7785

Cascade do Brasil

Rua João Guerra, 134
Macuco, Santos - SP
Brasil 11015-130
Tel: 55-13-2105-8800
Fax: 55-13-2105-8899

EUROPE-AFRICA

**Cascade Italia S.R.L.
European Headquarters**

Via Dell'Artigianato 1
37030 Vago di Lavagno (VR)
Italy
Tel: 39-045-8989111
Fax: 39-045-8989160

Cascade (Africa) Pty. Ltd.

PO Box 625, Isando 1600
60A Steel Road
Sparton, Kempton Park
South Africa
Tel: 27-11-975-9240
Fax: 27-11-394-1147

ASIA-PACIFIC

Cascade Japan Ltd.

2-23, 2-Chome,
Kukuchi Nishimachi
Amagasaki, Hyogo
Japan, 661-0978
Tel: 81-6-6420-9771
Fax: 81-6-6420-9777

Cascade Korea

121B 9L Namdong Ind.
Complex, 691-8 Gojan-Dong
Namdong-Ku
Inchon, Korea
Tel: +82-32-821-2051
Fax: +82-32-821-2055

Cascade-Xiamen

No. 668 Yangguang Rd.
Xinyang Industrial Zone
Haicang, Xiamen City
Fujian Province
P.R. China 361026
Tel: 86-592-651-2500
Fax: 86-592-651-2571

**Cascade India Material
Handling Private Limited**

No 34, Global Trade Centre
1/1 Rambaugh Colony
Lal Bahadur Shastri Road,
Navi Peth, Pune 411 030
(Maharashtra) India
Phone: +91 020 2432 5490
Fax: +91 020 2433 0881

Cascade Australia Pty. Ltd.

1445 Ipswich Road
Rocklea, QLD 4107
Australia
Tel: 1-800-227-223
Fax: +61 7 3373-7333

Cascade New Zealand

15 Ra Ora Drive
East Tamaki, Auckland
New Zealand
Tel: +64-9-273-9136
Fax: +64-9-273-9137

**Sunstream Industries
Pte. Ltd.**

18 Tuas South Street 5
Singapore 637796
Tel: +65-6795-7555
Fax: +65-6863-1368

