



# Installation Instructions

## UL Classified Dual Direction Tilt Control Kits

This sheet provides installation instructions for Cascade Dual Direction Tilt Control kits. The tilt control positions the mast at true vertical from forward or back tilt. This aids with precision handling of paper rolls and other applications where true vertical is needed (example: rack storage).

Consult Cascade about the availability of custom installation kits for the truck being fitted.

**NOTE:** Kits are UL Classified (File # AU3546) for safety in Electric Battery (UL 583) and IC Engine (UL 558) Indust. Truck type E, ES, G, GS, G/LP/ GS/LPS, LP, LPS, D and DS.

**NOTE:** UL Classified Kits require installation by qualified personnel only without major disturbance, cutting, splicing or soldering of factory installed wiring.

Tilt Control Kit	Truck Voltage	Application
6013612	12V	HYSTER S120XL – Switched
6014899	12V	HYSTER S70XL – Unswitched
		HYSTER S120 XL – Unswitched
6018422	12V	UNIVERSAL – Switched
		HOIST F180 – Switched
6018486	12V	HYSTER S-135XL – Switched
		HYSTER S-158XL – Switched
6025062	48V	KOMATSU FD100-T6 – Switched
6028702	12V	HYSTER H-360XL2 – Switched
6059873	12V	TAYLOR T-360L – Switched
6063218	24V	NISSAN JPD 80 Y – Switched
6076901	48V	HYSTER S120XL – Switched
6080527	12V	HYSTER H-5.00 DX
		TALL BRACKET – Switched
6092295	12V	UNIVERSAL – Switched
6092297	24V	UNIVERSAL – Switched
6092300	48V	UNIVERSAL – Switched
6092302	36V	UNIVERSAL – Switched
6092303	48V	HYSTER E70 – Unswitched
		HYSTER 120 XL3 – Unswitched
		HYSTER E45 – Unswitched
		HYSTER 65XM – Unswitched
6092304	36V	HYSTER E70 – Unswitched
		HYSTER 120XL3 – Unswitched
6092306	72V-80V	UNIVERSAL – Switched (Non UL)
6092308	48V	CAT EC25K – Switched
6092310	12V	NACCO – Unswitched
6092312	48V	UL CABLES – Switched

**cascade**®  
corporation

**For Technical Support . . .**

Call: 1-800-227-2233 Fax: 1-888-329-8207  
 Internet: www.cascorp.com  
 Write: Cascade Corporation, PO Box 20187, Portland, OR 97294



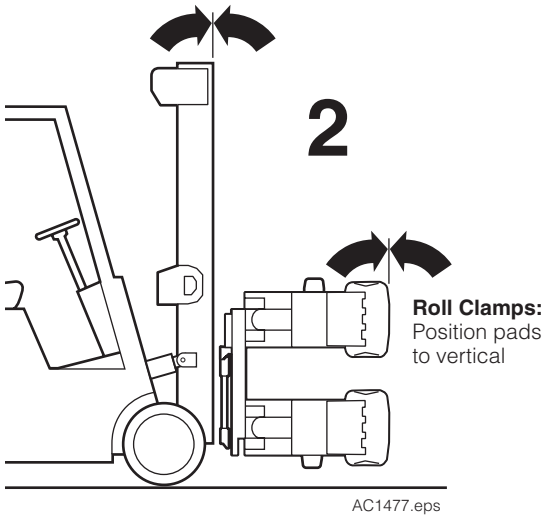
Cascade Corp.  
File No. AU3546

**To Order Parts . . .**

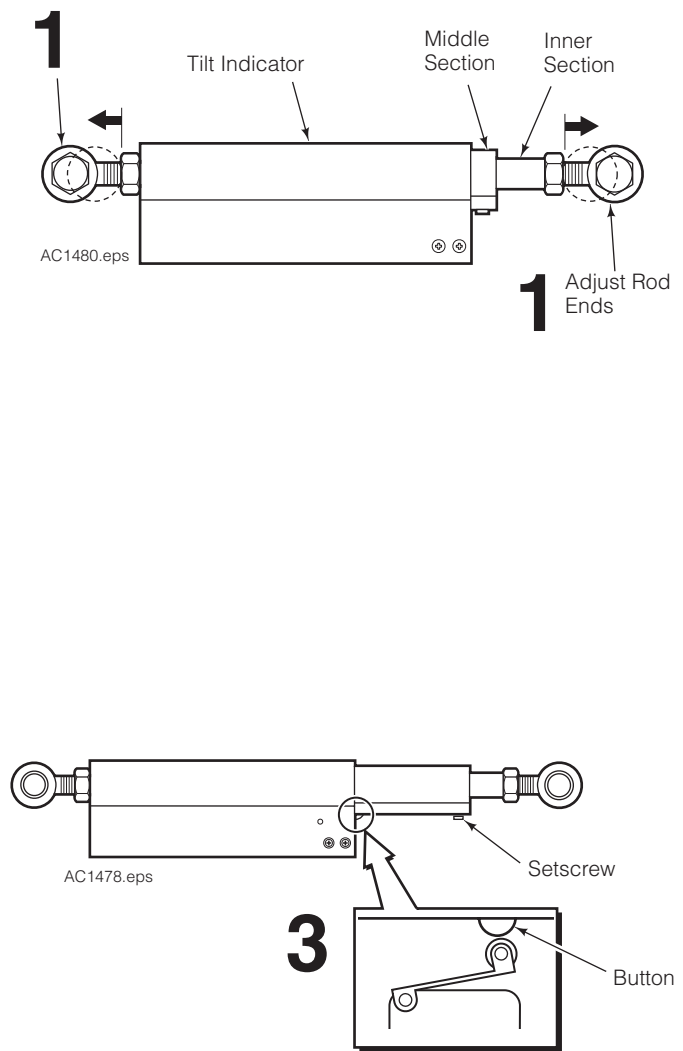
Call: 1-888-227-2233 Fax: 1-888-329-0234  
 Internet: www.cascorp.com  
 Write: Cascade Corporation, 2501 Sheridan Ave., Springfield, OH 45505

## Tilt Control Installation

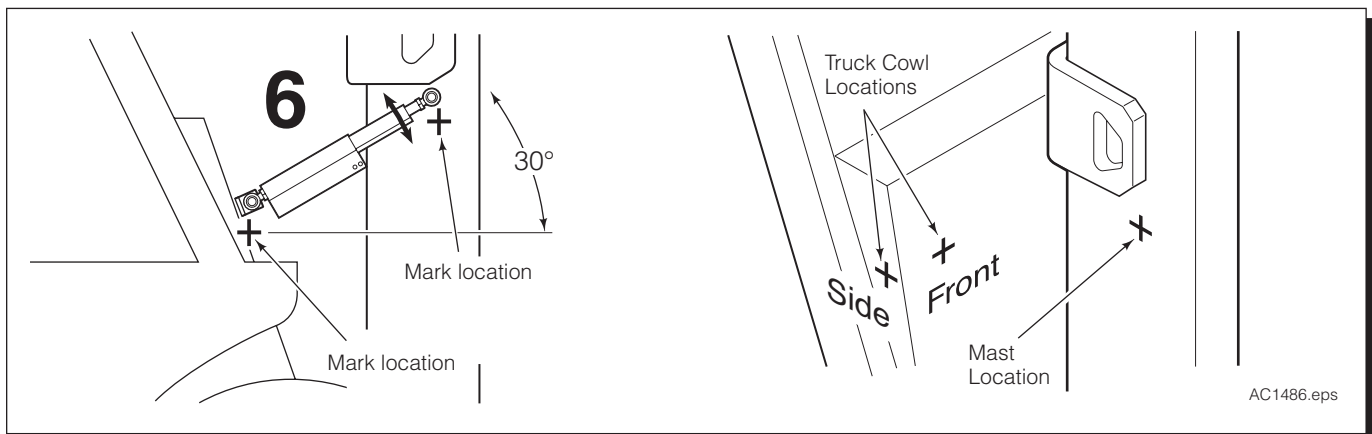
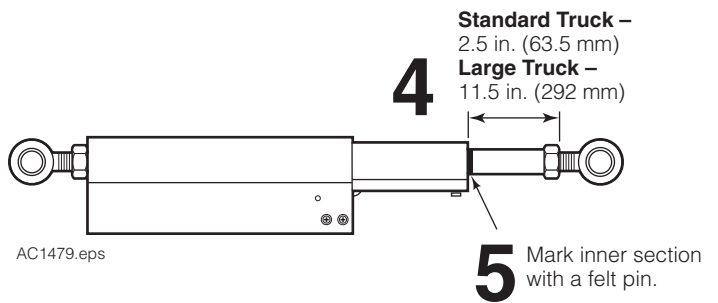
- 1 Loosen jam nuts and adjust tilt indicator rod ends to midpoint. Tighten jam nuts.
- 2 Use a level to position the mast at vertical. **For trucks with roll clamp attachments, position the pads at vertical.**



- 3 Move the middle section to position the button under the switch roller.



- 4 Loosen the setscrew on the tilt indicator middle section. Adjust the inner section to show 2.5 in. (63.5 mm) of rod. For large truck tilt indicators, adjust the inner section to show 11.5 in. (292 mm) of rod. **Tighten the setscrew just enough so the arm will not easily move.**
- 5 With a felt pen, mark the inner section at the middle section, as shown.
- 6 Using the tilt indicator and kit brackets, find a location on the truck cowl (side or face) and the side of the mast. Angle the tilt indicator approximately 30° from the horizontal of the bracket base end. Mark the locations of each end.

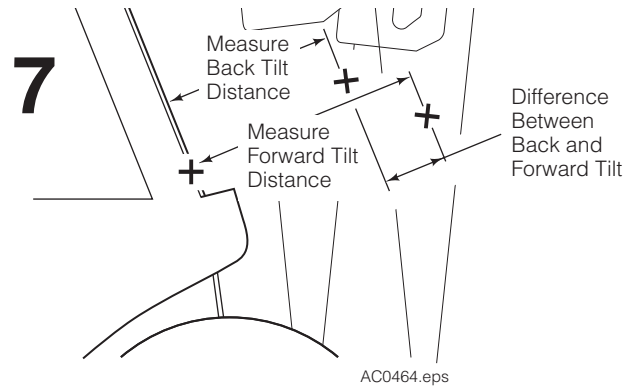


**7** Tilt the mast fully back and measure the distance between the marks. Tilt the mast fully forward and measure the distance between the marks. If the difference between the two measurements is **greater** than 5 in. (127 mm), relocate the tilt indicator. Use a steeper angle until the difference between the two measurements is **less** than 5 in. (127 mm).

**8** Temporarily secure the tilt indicator ends with brackets to the marked locations.

**9** Tilt the mast fully backward and forward to verify that the tilt indicator will not bind and does not interfere with truck and attachment components.

**CAUTION: Failure to allow for full extension and retraction will damage the tilt indicator.**



**10** Secure the brackets to the marked locations on the truck cowl and mast. If using an adhesive, mix and apply adhesive (user supplied) to attach the brackets to the truck cowl and mast. Adhesives approved for this installation:

- Loctite 332 with Activator 7380
- Devcon S-220 two part epoxy
- Devcon Plastic Welder 14320
- JB Weld 8265-S

Apply per manufacturer's instructions.

**IMPORTANT:** Remove adhesive residue from hands immediately. Once dry, it is permanent to your skin.

**CAUTION:** Weld only with permission of the mast OEM and only in a location authorized by the mast OEM.

**11** Attach the tilt arm assembly to the cowl and mast mounts using the hardware supplied.

**12** Slowly tilt the mast completely forward and backward. Check the felt pen mark on the inner section to verify it has not moved. If the mark has moved significantly, verify that the setscrew is snug. Completely tilt the mast forward and backward to check the felt pen tilt indicator mark location.

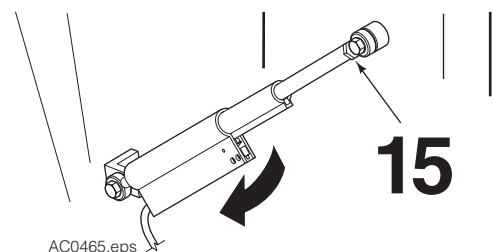
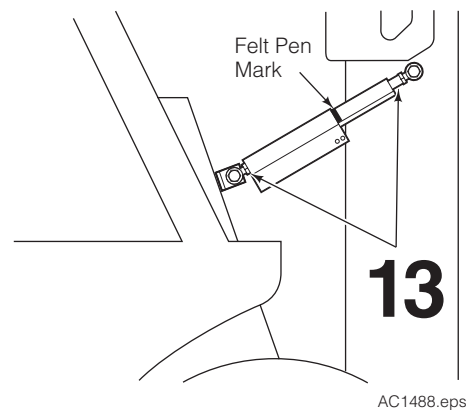
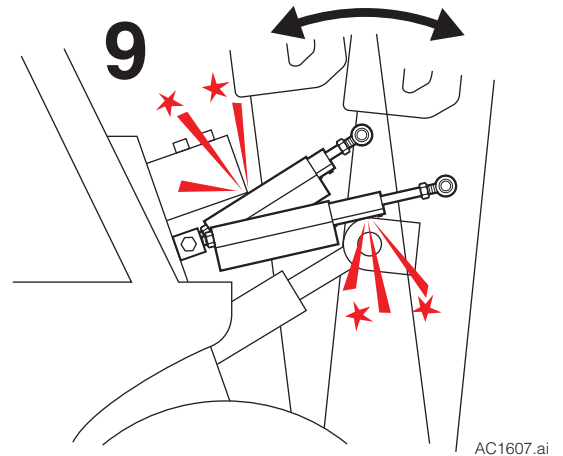
**13** If the felt pen mark has moved slightly, loosen the jam nut on a rod end.

- If the mark is inside the middle tilt indicator section, turn the rod end clockwise.
- If the mark has moved outward from the middle section, turn the rod end counterclockwise.

The adjustment should bring the felt pen mark next to the middle section. Tighten the jam nut. Repeat Step 12.

**14** It may be necessary to relocate the button. Position the mast (or roll clamp) to vertical with a level. Mark the middle channel next to the switch roller. Drill a .125 in. (3 mm) hole and relocate the button. Recheck the tilt indicator position. Adjust the rod end as described in Step 13.

**15** Verify that the indicator is clear from mast. To adjust, loosen the tilt indicator rod end jam nut and rotate the tilt arm away from the mast.



## Tilt Control Valve Installation

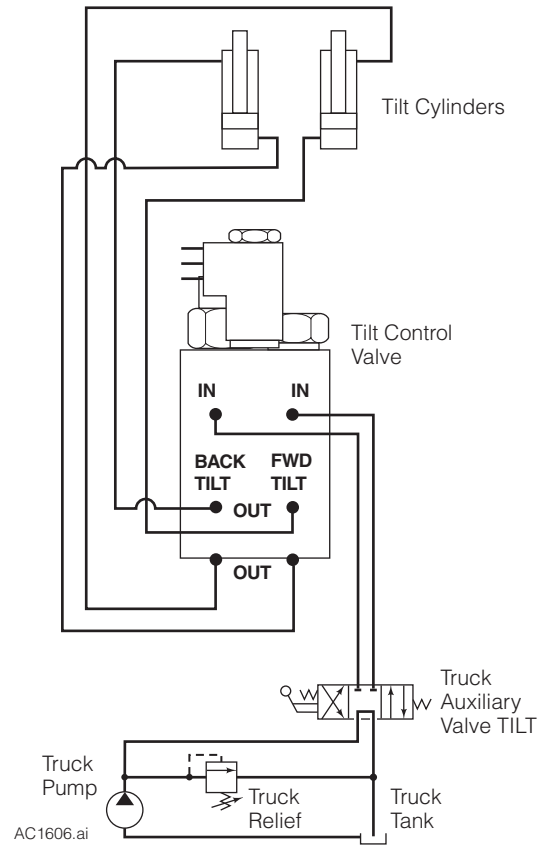
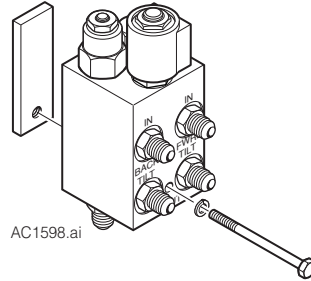
- 1 Determine a location to install the tilt control valve on the cowl or under the floor board. The valve must be plumbed in between the truck TILT auxiliary valve and the tilt cylinders. Refer to the hydraulic schematic.



**WARNING:** Tilt the mast completely forward before disconnecting hoses to install the tilt control valve. This will minimize oil loss.

- 2 Mount the valve and install the hoses. The valve ports must be connected to the tilt cylinder ports with a hose for each function. Do not use tee fittings. Refer to the hydraulic schematic.

**IMPORTANT:** The hoses must be installed consistent with the operation of the tilt cylinders. To reduce restriction, minimize the use of additional fittings.



## Wiring Installation

- 1 Install the tilt override switch to the tilt control knob using one of the following methods:

**Switch Mounted on Knob Face** – Position the tilt override switch on the front of the tilt control knob in a location that is easy to press the button and move the handle. File or carve a flat surface on the front of the knob, if needed, to keep the switch from rocking. Place the smallest fit heat shrink tubing over the knob and switch. Using a heat gun, heat the tubing to secure the switch to the knob.

**Switch Mounted on Knob Bracket** – Remove the tilt control knob. Place the bracket on the tilt lever and replace the knob. Position the tilt override switch on the front of the bracket. Place the smallest fit heat shrink tubing over the knob and switch. Using a heat gun, heat the tubing to secure the switch to the bracket.

- 2 If it is difficult to feel or operate the override switch button through the heat shrink tube, carefully cut a circle out of the tubing around the button.

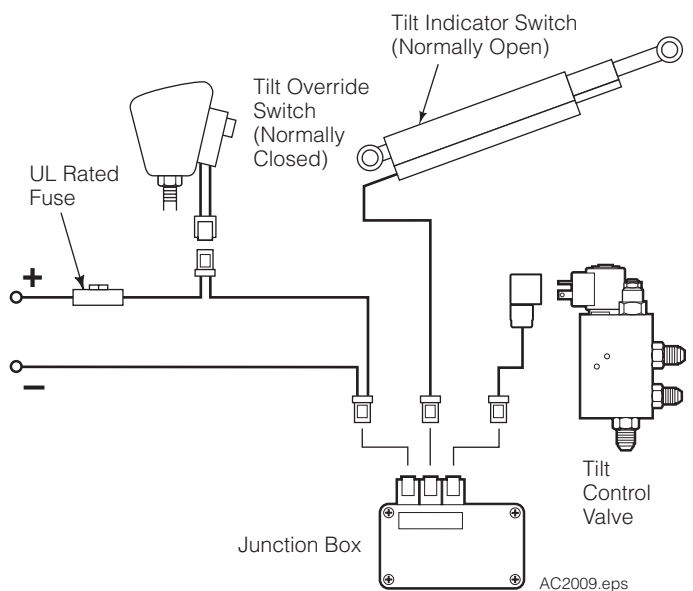
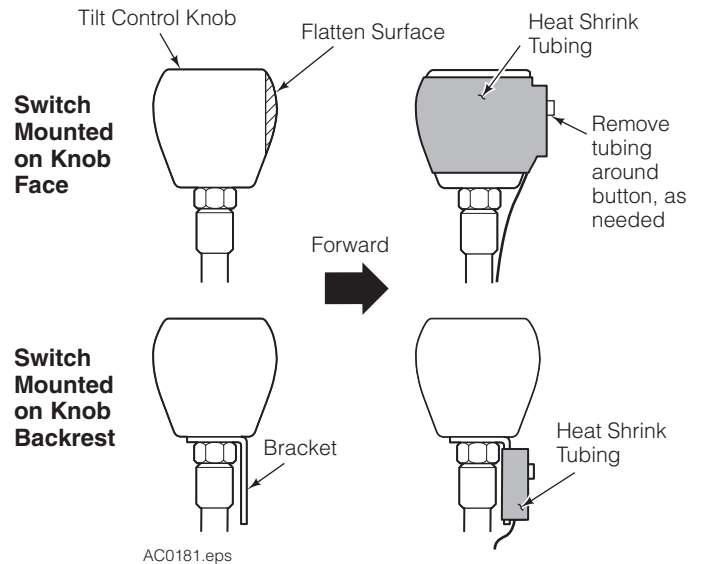
- 3 Mount the junction box under the dash or convenient location. Connect cables as marked. Feed the override switch wires down the control handle and under the boot (if equipped). Check the cable routing for pinch points, chafing and clearance. Use wire ties as needed.

**NOTE:** UL Classified Kits require installation by qualified personnel only without major disturbance, cutting, splicing for soldering of factory installed wiring.

- 4 Check the wiring with the key or power on. Depress the tilt indicator switch roller with a small screwdriver. Verify that the solenoid cap light turns **on**. Simultaneously press the tilt override switch. Verify that the solenoid cap light turns **off**.



**WARNING:** For UL Classified kits, to reduce the risk of fire, replace only with same type and rating of fuse.



## Tilt Control Operation

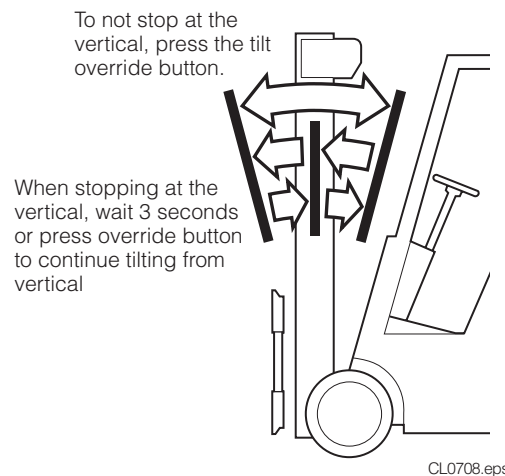
- 1 Test the installation before putting truck in service. When tilting forward and backward, mast travel should stop at vertical. Wait 3 seconds to tilt from vertical after stopping **OR** press the tilt override button to continue tilting.

Tilt the mast fully backward then tilt forward to vertical. Mast travel should stop at vertical.

- If mast travel **does not stop** at vertical:
  - A The switch roller should be on the actuator when the mast is at vertical.
  - B Inspect the hose and wiring installation. The light in the solenoid cap should turn on when the mast is at vertical.
  - C If truck relief pressure is higher than 2800 psi (190 bar) and the mast slows down but does not stop at vertical when tilting, it may be necessary to adjust the counterbalance cartridge. Turn the cartridge adjustment screw CCW until the mast stops at vertical.

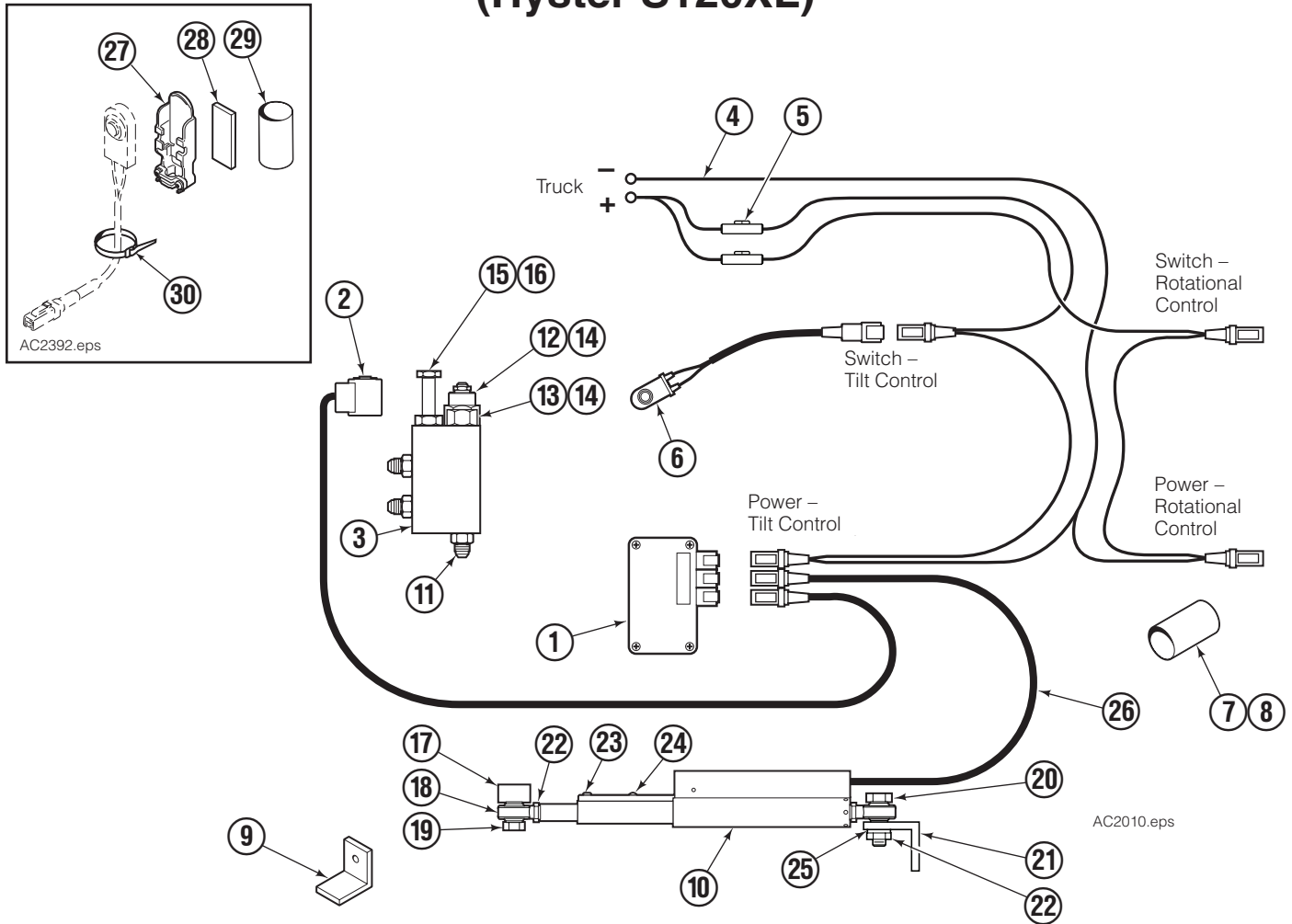
- 2 To tilt from vertical, wait 3 seconds after stopping **or** press the tilt override button to begin tilting.

To tilt forward or backward through vertical without stopping, press the override button.



BLANK

# Dual Direction Tilt Control Kit with Mounting Kit – 12V (Hyster S120XL)

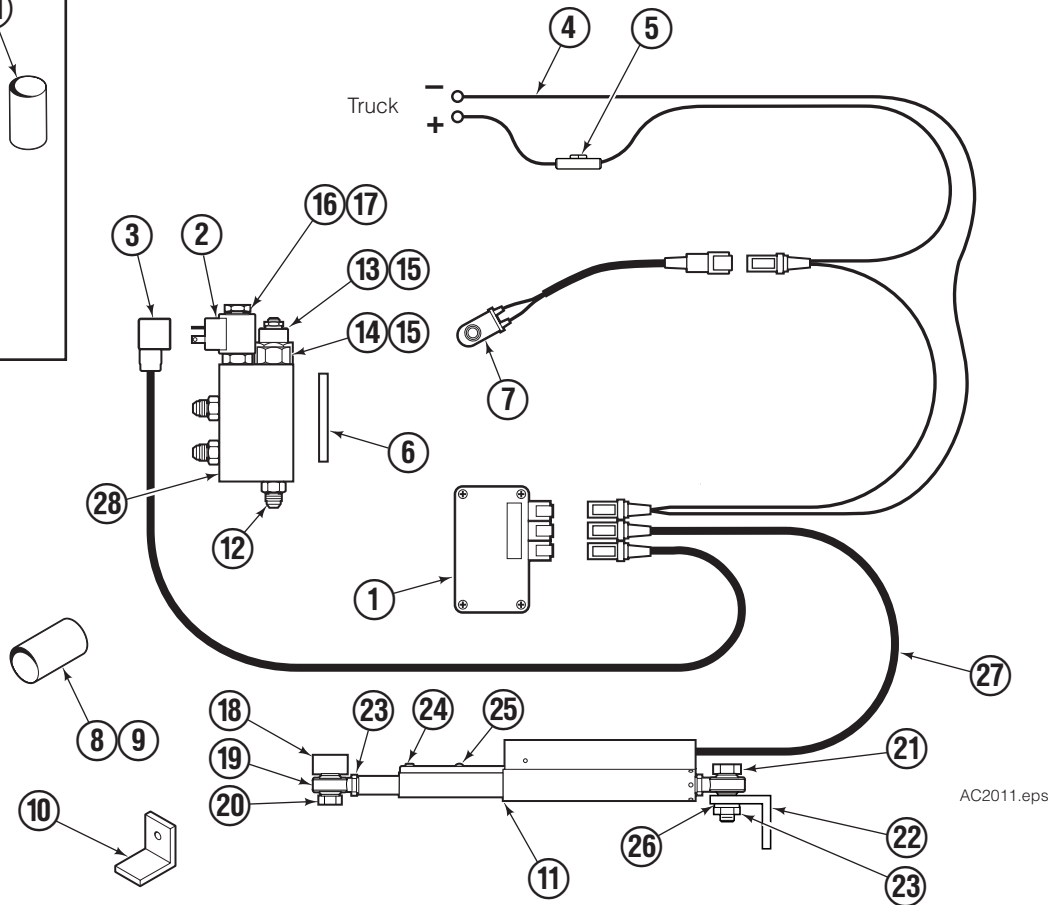
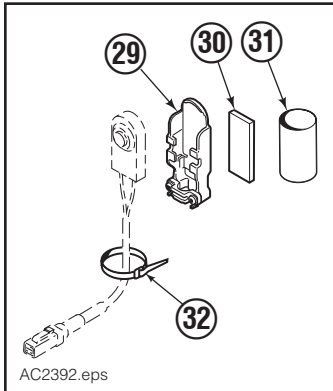


REF	QTY	PART NO.	DESCRIPTION	REF	QTY	PART NO.	DESCRIPTION
		6013612	Dual Direction Tilt Control Kit	15	1	6026589	Solenoid Valve Cartridge
		6016269	Tilt Control Mounting Kit ■	16	1	6026713	Seal Service Kit
1	1	220890	Relay Enclosure	17	1	220330	Anchor
2	1	6003169	Solenoid Coil with Cable ▲	18	2	221054	Rod End
3	1	6010663	Valve Assembly without Coil ●	19	1	684649	Capscrew, M10 x 25
4	1	6015623	Wire Harness - Power	20	1	768538	Capscrew, M10 x 30
5	2	6806708	Fuse, 5 Amp, UL Classified	21	1	220525	Bracket
	2	219414	Fuse, ATC-10, Non UL Classified	22	3	209152	Jam Nut, M10
6	1	6048222	Switch Assembly (NC) ✓	23	1	768734	Setscrew, M6 x 12
7	1	6026934	Shrink Tube – 2.0 in. dia.	24	1	220328	Button ◆
8	1	6001641	Shrink Tube – 1.0 in. dia.	25	1	683826	Lockwasher, M10
9	1	222009	Knob Bracket	26	1	220313	Wire Harness – Tilt Switch
10	1	220013	Tilt Control Arm Assembly ✕	27	1	6821504	Switch Holder
11	6	604511	Fitting 6-6	28	1	6014987	Adhesive Tape
12	1	6026591	Counterbalance Valve Cartridge	29	1	6822532	Shrink Tube – 1.5 in. dia.
13	1	6026592	Check Valve Cartridge	30	3	6822796	Cable Tie
14	2	6024964	Seal Service Kit				

■ See Tilt Control Mounting Kit page for parts breakdown.  
 ▲ Included in Tilt Control Mounting Kit 6016269.  
 ● Includes items 11-13, 15.

✓ Includes items 27-30.  
 ✕ Includes items 17-26.  
 ◆ For replacement, refer to kit 6801758.

# Dual Direction Tilt Control Kit with Mounting Kit – 48V (Hyster S120XL)



REF	QTY	PART NO.	DESCRIPTION	REF	QTY	PART NO.	DESCRIPTION
		6076901	Dual Direction Tilt Control Kit	16	1	6026589	Solenoid Valve Cartridge
		6093492	Tilt Control Mounting Kit ■	17	1	6026713	Seal Service Kit
1	1	223629	Relay Enclosure	18	1	220330	Anchor
2	1	223637	Solenoid Coil	19	2	221054	Rod End
3	1	6017665	Wire Harness - Solenoid	20	1	684649	Capscrew, M10 x 25
4	1	6811387	Wire Harness - Power	21	1	768538	Capscrew, M10 x 30
5	1	6806701	Fuse, 2 Amp, UL Classified	22	1	220525	Bracket
	1	219414	Fuse, ATC-10, Non UL Classified	23	3	209152	Jam Nut, M10
6	1	6018319	Spacer	24	1	768734	Setscrew, M6 x 12
7	1	6048222	Switch Assembly (NC) ✓	25	1	220328	Button ◆
8	1	6026934	Shrink Tube – 2.0 in. dia.	26	1	683826	Lockwasher, M10
9	1	6001641	Shrink Tube – 1.0 in. dia.	27	1	220313	Wire Harness – Tilt Switch
10	1	222009	Knob Bracket	28	1	6010663	Valve Assembly without Coil ●
11	1	220013	Tilt Control Arm Assembly ✕	29	1	6821504	Switch Holder
12	6	604511	Fitting 6–6	30	1	6014987	Adhesive Tape
13	1	6026591	Counterbalance Valve Cartridge	31	1	6822532	Shrink Tube – 1.5 in. dia.
14	1	6026592	Check Valve Cartridge	32	3	6822796	Cable Tie
15	2	6024964	Seal Service Kit				

■ See Tilt Control Mounting Kit page for parts breakdown.

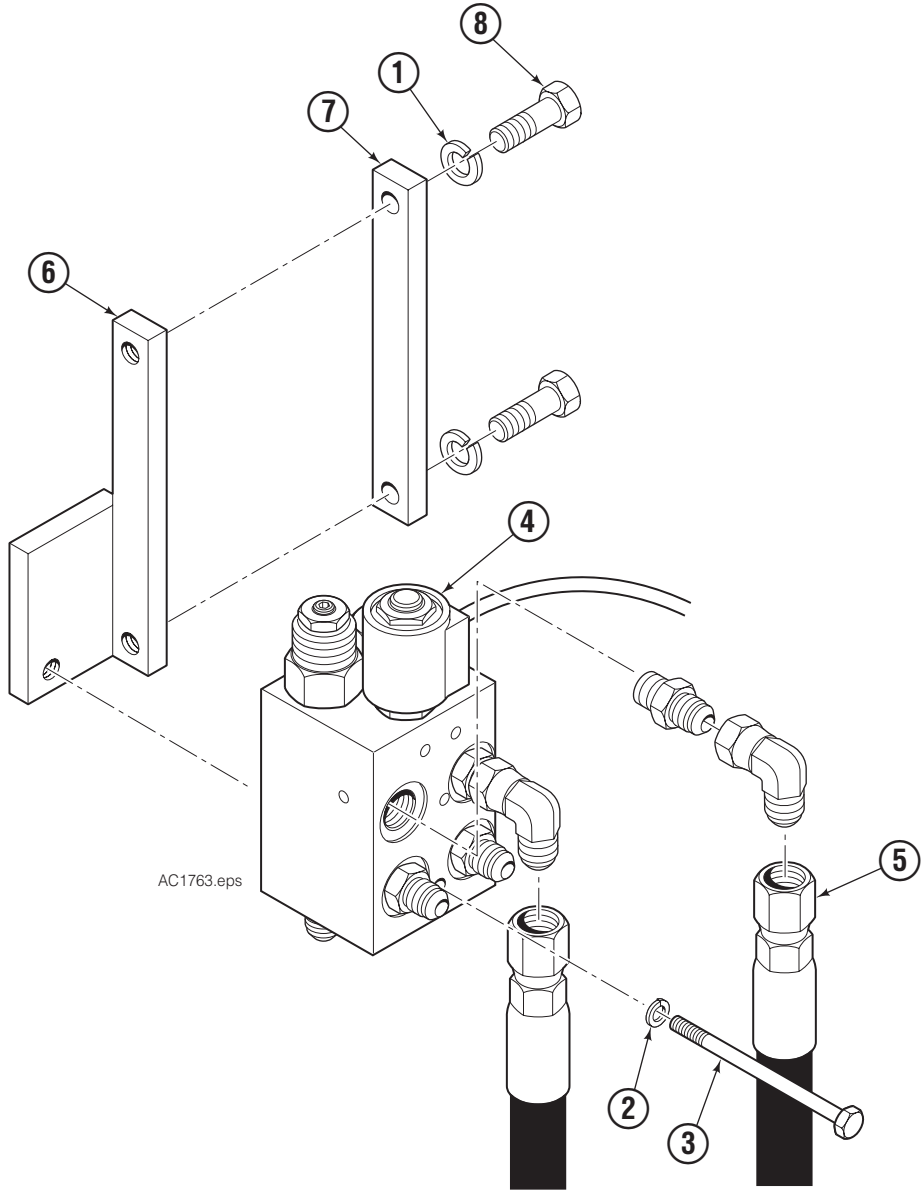
✓ Includes items 29-32.

✕ Includes items 18-27.

◆ For replacement, refer to kit 6801758.

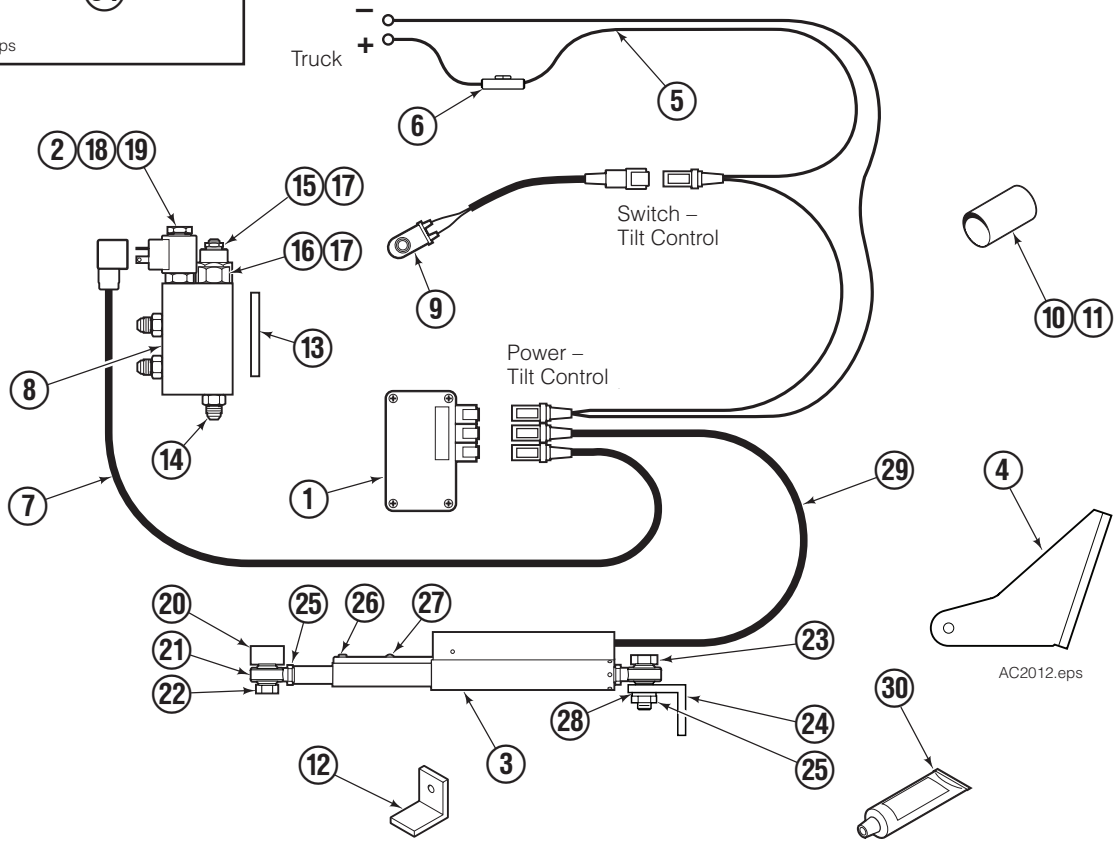
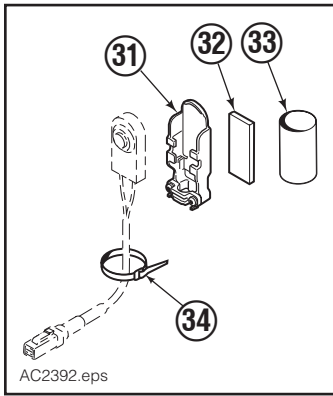
● Includes items 12-14, 16.

# Tilt Control Valve Mounting Kit



REF	QTY	PART NO.	PART NO.	DESCRIPTION
		6016269	6093492	Mounting Kit
1	2	681238	681238	Lockwasher, M10
2	1	206323	206323	Lockwasher, M6
3	1	768520	768520	Capscrew, M6 x 75
4	1	6003169	-	Solenoid Coil/ Cable Assembly
5	2	211989	211989	Hose
6	1	6016292	6016292	Bracket
7	1	6016295	6016295	Bar
8	2	768538	768538	Capscrew, M10 x 30

# Dual Direction Tilt Control Kit with Tilt Brackets



# Dual Direction Tilt Control Kit with Tilt Brackets

REF	QTY	HYSTER H-360XL2	TAYLOR T-360L	KOMATSU FD100-T6	DESCRIPTION
		12V PART NO.	12V PART NO.	48V PART NO.	
		6028702	6059873	6025062	Dual Direction Tilt Control Kit
1	1	220890	220890	221718	Relay Enclosure
2	1	220632	220632	220633	Solenoid Coil
3	1	6018483	6059872	6018483	Tilt Control Arm Assembly ✘
4	1	6028640	6059869	6025063	Bracket
5	1	219398	219398	6811387	Wire Harness – Power
6	1	6806708	6806708	—	Fuse, 5 Amp, UL Classified
	1	—	—	6806701	Fuse, 2 Amp, UL Classified
	1	6008233	6008233	6008233	Fuse, ATM 10 Amp, Non UL Classified

✘ Includes items 20-29.

## Common Parts

REF	QTY	PART NO.	DESCRIPTION
7	1	6017665	Wire Harness – Solenoid
8	1	6010663	Valve Assembly ●
9	1	6048222	Switch Assembly ✓
10	1	6026934	Shrink Tube, 2.0 in. dia.
11	1	6001641	Shrink Tube, 1.0 in. dia.
12	1	222009	Knob Bracket
13	1	6018319	Spacer
14	6	604511	Fitting, 6-6
15	1	6026591	Counterbalance Valve Cartridge
16	1	6026592	Check Valve Cartridge
17	2	6024964	Seal Service Kit
18	1	6026589	Solenoid Valve Cartridge
19	1	6026713	Seal Service Kit
20	1	220330	Anchor
21	2	221054	Rod End
22	1	684649	Capscrews, M10 x 25
23	1	768538	Capscrews, M10 x 30
24	1	220525	Bracket
25	3	209152	Jam Nut, M10
26	1	768734	Setscrew, M6 x 12
27	1	220328	Button ◆
28	1	683826	Lockwasher, M10
29	1	220313	Wire Harness – Tilt ■
30	1	6017272	Silicon, RTV ■
31	1	6821504	Switch Holder
32	1	6014987	Adhesive Tape
33	1	6822532	Shrink Tube – 1.5 in. dia.
34	3	6822796	Cable Tie

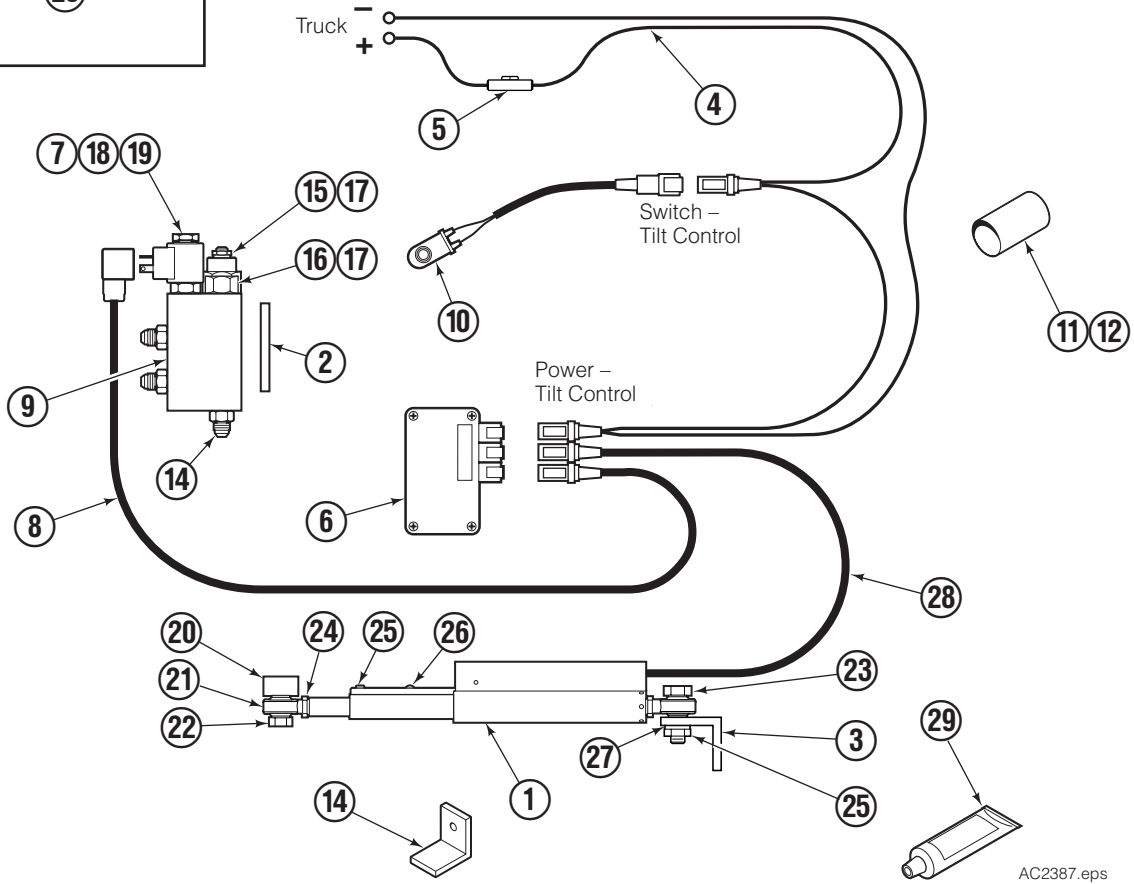
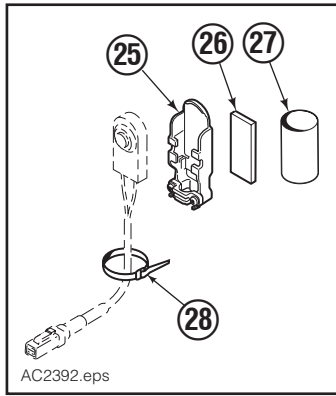
● Includes items 14-16, 18.

✓ Includes items 31-34.

◆ For replacement, refer to kit 6801758.

■ Included in Limit Switch Service Kit 6017267.

# Dual Direction Tilt Control Kit (12V) with Switch



# Dual Direction Tilt Control Kit (12V) with Switch

REF	QTY	UNIVERSAL, HOIST F180	HYSTER S-135XL S-158XL	HYSTER H-5.00 DX TALL BRACKET	PART NO.	DESCRIPTION
		PART NO.	PART NO.	PART NO.		
		6018422	6018486	6080527	6092295	Dual Direction Tilt Control Kit
1	1	220013	6018483	6080528	220013	Tilt Control Arm Assembly ✖
2	1	-	6018319	6018319	6018319	Spacer
3	1	220525	220525	6059869	220525	Bracket

✖ Includes items 20-28.

## Common Parts

REF	QTY	PART NO.	DESCRIPTION
4	1	219398	Wire Harness – Power
5	1	6806708	Fuse, 5 Amp, UL Classified
	1	6008233	Fuse, ATM 10 Amp, Non UL Classified
6	1	220890	Relay Enclosure
7	1	220632	Solenoid Coil–12V
8	1	6017665	Wire Harness – Solenoid
9	1	6010663	Valve Assembly ▲
10	1	6048222	Switch Assembly ✓
11	1	6026934	Shrink Tube, 2.0
12	1	6001641	Shrink Tube, 1.0
13	1	222009	Knob Bracket
14	6	604511	Fitting, 6-6
15	1	6026591	Counterbalance Valve Cartridge
16	1	6026592	Check Valve Cartridge
17	2	6024964	Seal Service Kit
18	1	6026589	Solenoid Valve Cartridge
19	1	6026713	Seal Service Kit
20	1	220330	Anchor
21	2	221054	Rod End
22	1	684649	Capscrews, M10 x 25
23	1	768538	Capscrews, M10 x 30
24	3	209152	Jam Nut, M10
25	1	768734	Setscrew, M6 x 12
26	1	220328	Button ◆
27	1	683826	Lockwasher, M10
28	1	220313	Wire Harness – Tilt ●
29	1	6017272	Silicon, RTV ●
30	1	6821504	Switch Holder
31	1	6014987	Adhesive Tape
32	1	6822532	Shrink Tube – 1.5 in. dia.
33	3	6822796	Cable Tie

▲ Includes items 14-16, 18.

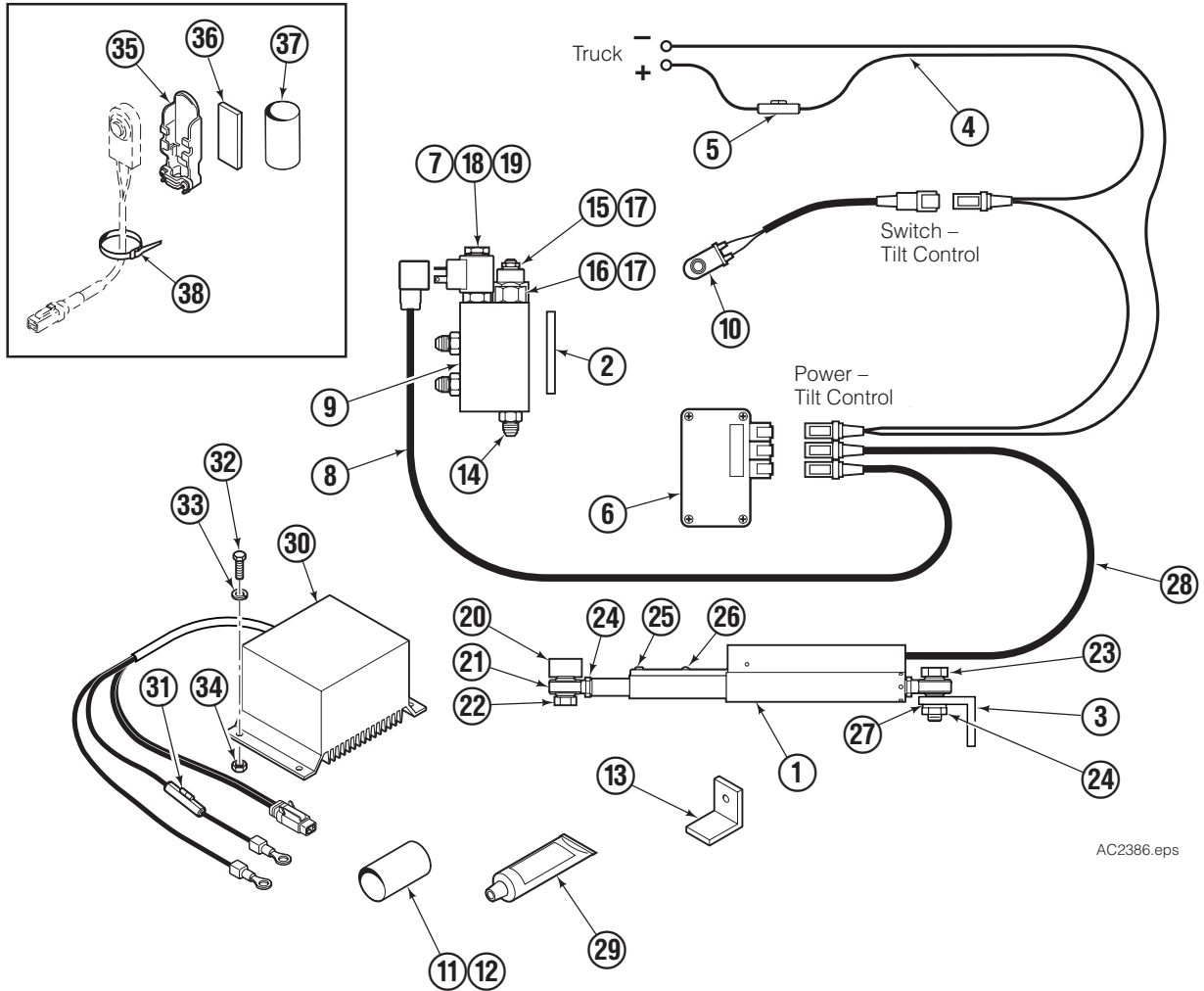
✓ Includes items 30-33.

◆ For replacement, refer to kit 6801758.

● Included in Limit Switch Service Kit 6017267.



# Dual Direction Tilt Control Kit (72V-80V) with Switch – Non UL



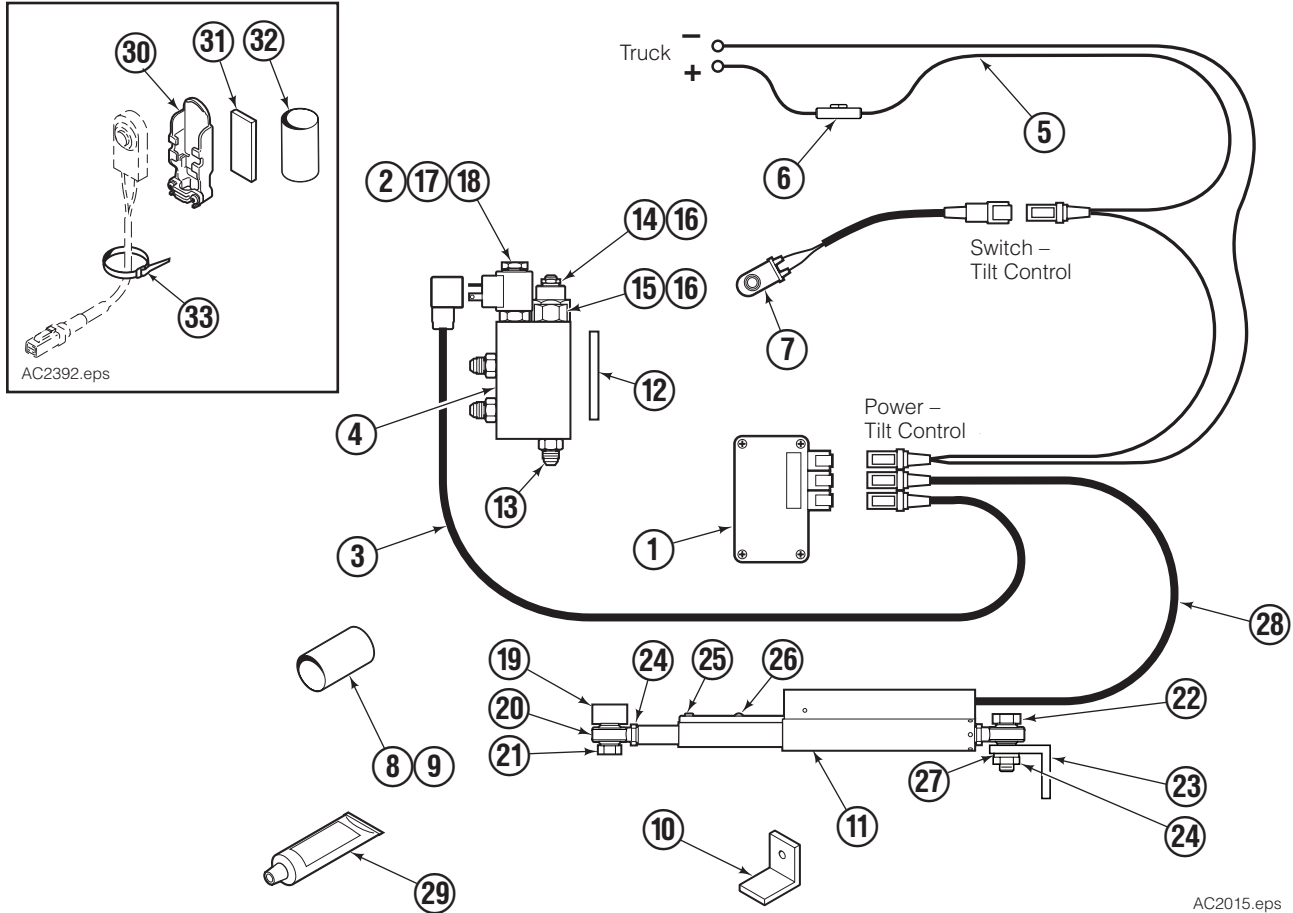
AC2386.eps

REF	QTY	PART NO.	DESCRIPTION	REF	QTY	PART NO.	DESCRIPTION
		6092306	Dual Direction Tilt Control Kit	19	1	6026713	Seal Service Kit
1	1	220013	Tilt Control Arm Assembly ✖	20	1	220330	Anchor
2	1	6018319	Spacer	21	2	221054	Rod End
3	1	220525	Bracket	22	1	684649	Capscrews, M10 x 25
4	1	219398	Wire Harness – Power	23	1	768538	Capscrews, M10 x 30
5	1	6806708	Fuse, 5 Amp, UL Classified	24	3	209152	Jam Nut, M10
	1	6008233	Fuse, ATM 10 Amp, Non UL Classified	25	1	768734	Setscrew, M6 x 12
6	1	220890	Relay Enclosure	26	1	220328	Button ◆
7	1	220632	Solenoid Coil-12V	27	1	683826	Lockwasher, M10
8	1	6017665	Wire Harness – Solenoid	28	1	220313	Wire Harness – Tilt ●
9	1	6010663	Valve Assembly ▲	29	1	6017272	Silicon, RTV ●
10	1	6048222	Switch Assembly ✓	30	1	6819261	DC/DC Converter (72V-80V → 12V)
11	1	6026934	Shrink Tube, 2.0	31	1	6806701	Fuse, 2A
12	1	6001641	Shrink Tube, 1.0	32	4	6405318	Capscrew
13	1	222009	Knob Bracket	33	4	685866	Washer
14	6	604511	Fitting, 6-6	34	4	768202	Nut
15	1	6026591	Counterbalance Valve Cartridge	35	1	6821504	Switch Holder
16	1	6026592	Check Valve Cartridge	36	1	6014987	Adhesive Tape
17	2	6024964	Seal Service Kit	37	1	6822532	Shrink Tube – 1.5 in. dia.
18	1	6026589	Solenoid Valve Cartridge	38	3	6822796	Cable Tie

✖ Includes items 3, 20-28.  
 ▲ Includes items 14-16, 18.  
 ✓ Includes items 35-38.

◆ For replacement, refer to kit 6801758.  
 ● Included in Limit Switch Service Kit 6017267.

# Dual Direction Tilt Control Kit (24V, 36V) with Switch



AC2015.eps

REF	QTY	NISSAN JPD 80 Y			DESCRIPTION
		24V PART NO.	24V PART NO.	36V PART NO.	
		6063218	6092297	6092302	Dual Direction Tilt Control Kit
1	1	221718	221718	223628	Relay Enclosure
2	1	220633	220633	223636	Solenoid Coil

REF	QTY	PART NO.	DESCRIPTION	REF	QTY	PART NO.	DESCRIPTION
3	1	6017665	Wire Harness - Solenoid	18	1	6026713	Seal Service Kit
4	1	6010663	Valve Assembly without Coil ▲	19	1	220330	Anchor
5	1	6811387	Wire Harness - Power	20	2	221054	Rod End
6	1	6806701	Fuse, 2 Amp, UL Classified	21	1	684649	Capscrew, M10 x 25
	1	6008233	Fuse, ATM 10 Amp, Non UL Classified	22	1	768538	Capscrew, M10 x 30
7	1	6048222	Switch Assembly (NC) ✓	23	1	220525	Bracket
8	1	6026934	Shrink Tube - 2.0 in. dia.	24	3	209152	Jam Nut, M10
9	1	6001641	Shrink Tube - 1.0 in. dia.	25	1	768734	Setscrew, M6 x 12
10	1	222009	Knob Bracket	26	1	220328	Button ◆
11	1	220013	Tilt Control Arm Assembly ✖	27	1	683826	Lockwasher, M10
12	1	6018319	Spacer	28	1	220313	Wire Harness - Tilt Switch ●
13	6	604511	Fitting, 6-6	29	1	6017272	Silicon, RTV ●
14	1	6026591	Counterbalance Valve Cartridge	30	1	6821504	Switch Holder
15	1	6026592	Check Valve Cartridge	31	1	6014987	Adhesive Tape
16	2	6024964	Seal Service Kit	32	1	6822532	Shrink Tube - 1.5 in. dia.
17	1	6026589	Solenoid Valve Cartridge	33	3	6822796	Cable Tie

▲ Includes items 13-15, 17.

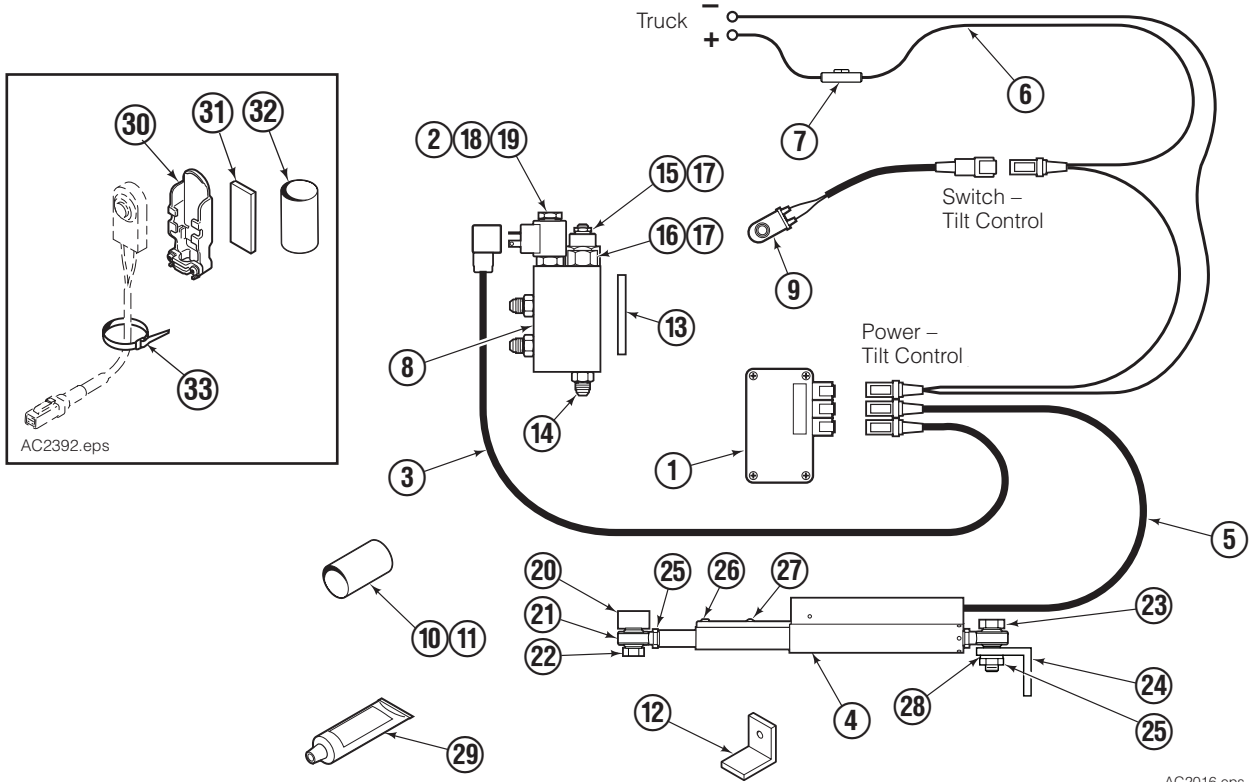
✓ Includes items 30-33.

✖ Includes items 19-28.

◆ For replacement, refer to kit 6801758.

● Included in Limit Switch Kit 6017267.

# Dual Direction Tilt Control Kit (48V) with Switch Assembly



AC2016.eps

REF	QTY	48V PART NO.	CAT EC25K	UL CABLES	DESCRIPTION
			48V PART NO.	48V PART NO.	
		6092300	6092308	6092312	Dual Direction Tilt Control Kit
1	1	223629	223629	6077054	Relay Enclosure
2	1	223637	223637	223637	Solenoid Coil-48V
3	1	6017665	6017665	6077358	Wire Harness - Solenoid
4	1	220013	220013	6077084	Tilt Control Arm Assembly ✘
5	1	220313 ●	220313 ●	6077068	Wire Harness - Tilt Switch
6	1	6811387	6811387	219398	Wire Harness - Power
7	1	6806701	6806701	-	Fuse, 2 Amp, UL Classified
	1	-	-	6806708	Fuse, 5 Amp, UL Classified
	1	6008233	6008233	6008233	Fuse, ATM 10 Amp, Non UL Classified

REF	QTY	PART NO.	DESCRIPTION	REF	QTY	PART NO.	DESCRIPTION
8	1	6010663	Valve Assembly without Coil ▲	21	2	221054	Rod End
9	1	6048222	Switch Assembly (NC) ✓	22	1	684649	Capscrew, M10 x 25
10	1	6026934	Shrink Tube - 2.0 in. dia.	23	1	768538	Capscrew, M10 x 30
11	1	6001641	Shrink Tube - 1.0 in. dia.	24	1	220525	Bracket
12	1	222009	Knob Bracket	25	3	209152	Jam Nut, M10
13	1	6018319	Spacer	26	1	768734	Setscrew, M6 x 12
14	6	604511	Fitting, 6-6	27	1	683826	Lockwasher, M10
15	1	6026591	Counterbalance Valve Cartridge	28	1	220328	Button ◆
16	1	6026592	Check Valve Cartridge	29	1	6017272	Silicon, RTV ●
17	2	6024964	Seal Service Kit	30	1	6821504	Switch Holder
18	1	6026589	Solenoid Valve Cartridge	31	1	6014987	Adhesive Tape
19	1	6026713	Seal Service Kit	32	1	6822532	Shrink Tube - 1.5 in. dia.
20	1	220330	Anchor	33	3	6822796	Cable Tie

✘ Includes items 5, 20-28.

● Included in Limit Switch Kit 6017267.

▲ Includes items 14-16, 18.

✓ Includes items 30-33.

◆ For replacement, refer to kit 6801758.

**Do you have questions you need answered right now?**

Call your nearest Cascade Service Department.  
Visit us online at [www.cascorp.com](http://www.cascorp.com)

**AMERICAS**

**Cascade Corporation  
U.S. Headquarters**  
2201 NE 201st  
Fairview, OR 97024-9718  
Tel: 800-CASCADE (227-2233)  
Fax: 888-329-8207

**Cascade Canada Inc.**  
5570 Timberlea Blvd.  
Mississauga, Ontario  
Canada L4W-4M6  
Tel: 905-629-7777  
Fax: 905-629-7785

**Cascade do Brasil**  
Rua João Guerra, 134  
Macuco, Santos - SP  
Brasil 11015-130  
Tel: 55-13-2105-8800  
Fax: 55-13-2105-8899

**EUROPE-AFRICA**

**Cascade Italia S.R.L.  
European Headquarters**  
Via Dell'Artigianato 1  
37030 Vago di Lavagno (VR)  
Italy  
Tel: 39-045-8989111  
Fax: 39-045-8989160

**Cascade (Africa) Pty. Ltd.**  
PO Box 625, Isando 1600  
60A Steel Road  
Sparton, Kempton Park  
South Africa  
Tel: 27-11-975-9240  
Fax: 27-11-394-1147

**ASIA-PACIFIC**

**Cascade Japan Ltd.**  
2-23, 2-Chome,  
Kukuchi Nishimachi  
Amagasaki, Hyogo  
Japan, 661-0978  
Tel: 81-6-6420-9771  
Fax: 81-6-6420-9777

**Cascade Korea**  
121B 9L Namdong Ind.  
Complex, 691-8 Gojan-Dong  
Namdong-Ku  
Inchon, Korea  
Tel: +82-32-821-2051  
Fax: +82-32-821-2055

**Cascade-Xiamen**  
No. 668 Yangguang Rd.  
Xinyang Industrial Zone  
Haicang, Xiamen City  
Fujian Province  
P.R. China 361026  
Tel: 86-592-651-2500  
Fax: 86-592-651-2571

**Cascade India Material  
Handling Private Limited**  
No 34, Global Trade Centre  
1/1 Rambaugh Colony  
Lal Bahadur Shastri Road,  
Navi Peth, Pune 411 030  
(Maharashtra) India  
Phone: +91 020 2432 5490  
Fax: +91 020 2433 0881

**Cascade Australia Pty. Ltd.**  
1445 Ipswich Road  
Rocklea, QLD 4107  
Australia  
Tel: 1-800-227-223  
Fax: +61 7 3373-7333

**Cascade New Zealand**  
15 Ra Ora Drive  
East Tamaki, Auckland  
New Zealand  
Tel: +64-9-273-9136  
Fax: +64-9-273-9137

**Sunstream Industries  
Pte. Ltd.**  
18 Tuas South Street 5  
Singapore 637796  
Tel: +65-6795-7555  
Fax: +65-6863-1368

