



Parts Manual

Model 150D-FPS-CX1X Fork Positioner

Catalog Number 150D32369

cascade®
corporation

For Technical Assistance call: 800-227-2233, Fax: 888-329-8207

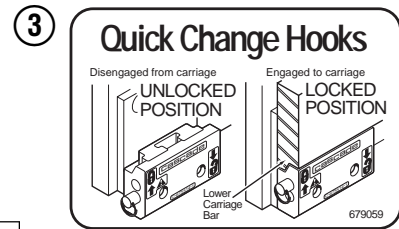
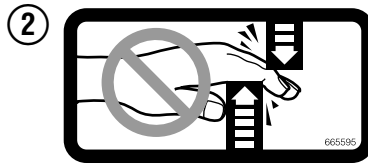
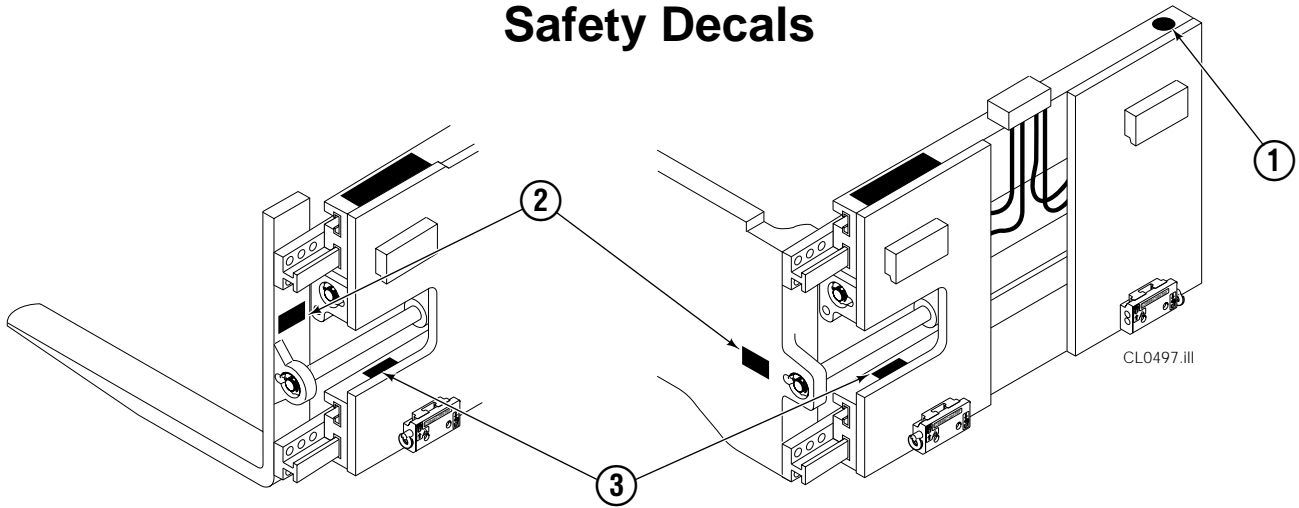
To Order Parts call: 888-227-2233, Fax: 888-329-0234

OR

Write: Cascade Corporation, P.O. Box 20187, Portland, OR 97220

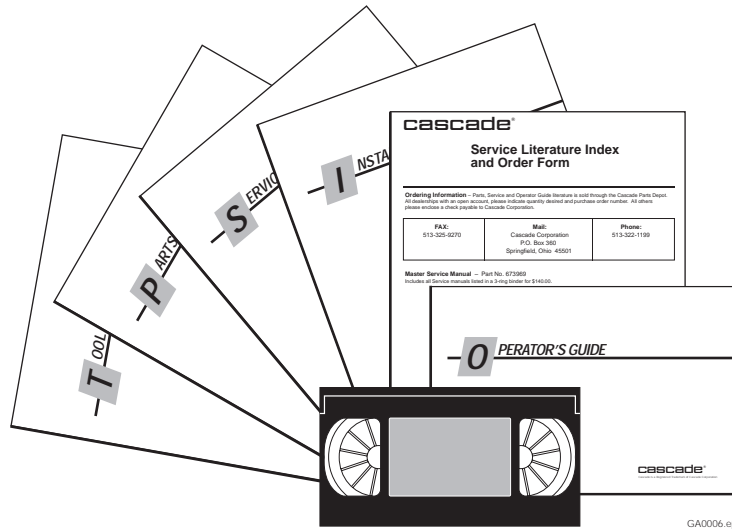
Internet: www.cascorp.com

Safety Decals



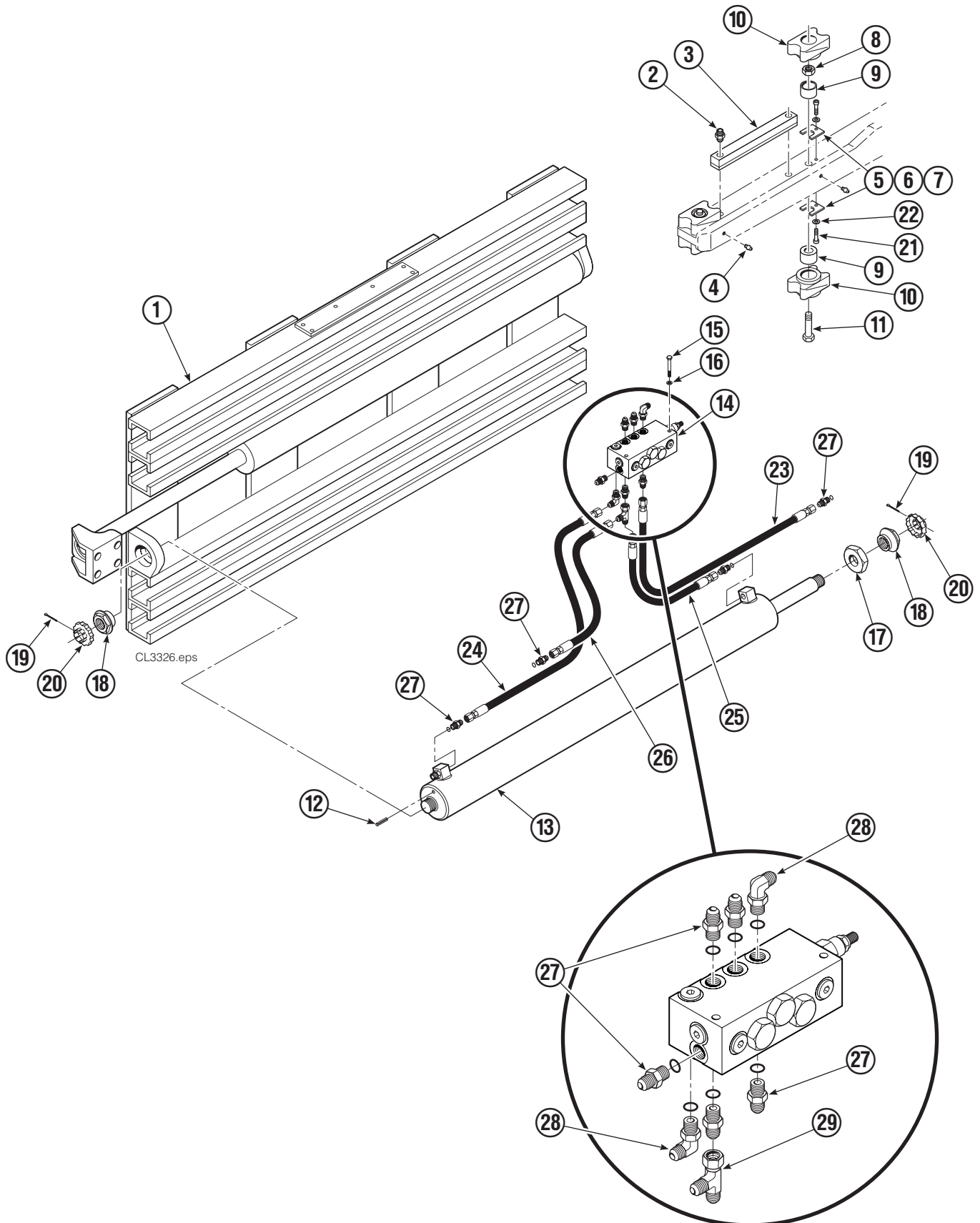
REF	QTY	PART NO.	DESCRIPTION
1	1	679150	No Step Decal
2	2	665595	No Hand Hold Decal
3	1	679059	Quick Change Hook Decal

Publications



PART NO.	DESCRIPTION
669224	Service Manual
672944	Operators Guide
668987	Installation Instructions
680664	Servicing Cascade Cylinders-VHS
679929	Tool Catalog
673964	Literature Index Order Form

Base Unit Group and Valve Group Sideshifting

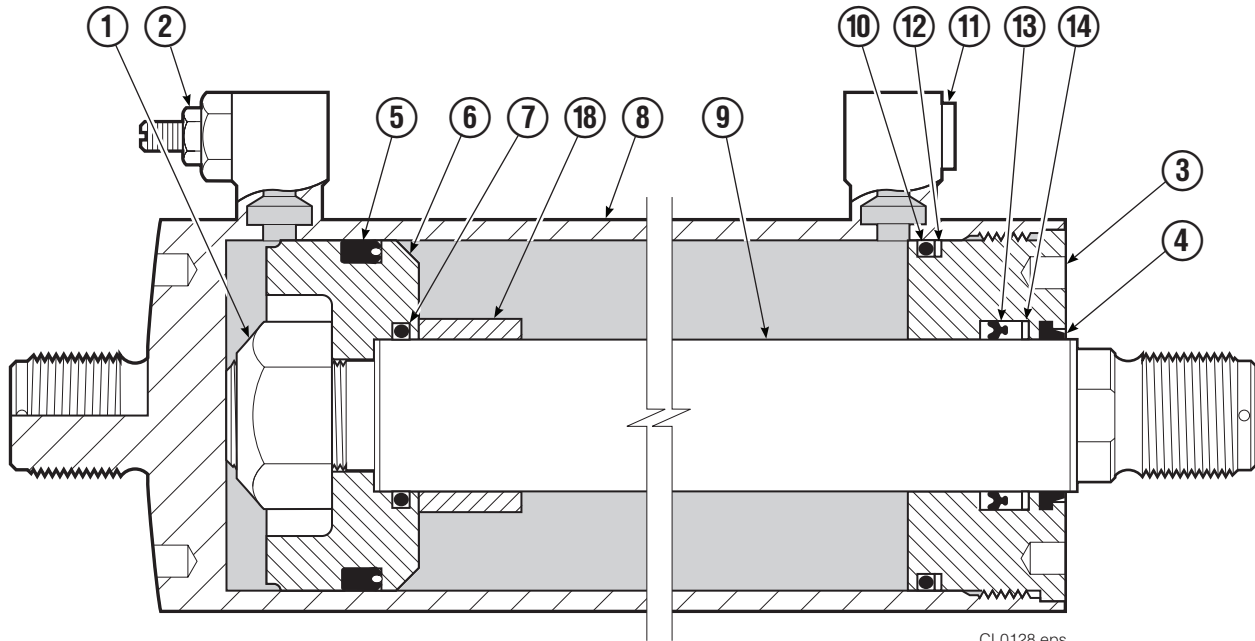


Base Unit Group and Valve Group Sideshifting

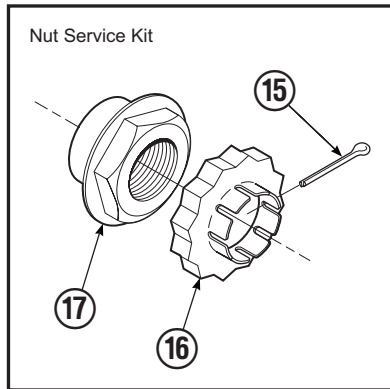
150D			
REF	QTY	PART NO.	DESCRIPTION
		6202989	Base Unit Group
		795074	Hydraulic Valve Group
	4	201842	Lube Assembly ■
1	1	6202171	Frame
2	16	617915	Fitting, 4-4
3	8	201838	Lube Pad
4	8	7401	Zerk Fitting
5	16	681529	Shim
6	16	681530	Shim
7	16	681531	Shim
8	8	228209	Nut
9	16	689808	Stub Shaft
10	16	200495	Bearing
11	8	228208	Capscrew, M20 x 80
12	2	7961	Roll Pin
13	2	6202776	Cylinder ◆
14	1	795226	Valve Assembly ●
15	2	768529	Capscrew, M8 x 60
16	2	787389	Lockwasher, M8
17	2	677910	Washer
18	4	677927	Nut
19	4	6513	Cotter Pin
20	4	677909	Retainer
21	16	682662	Capscrew, M6 x 16
22	16	202346	Lockwasher, M6
23	1	—	Hose
24	1	—	Hose
25	1	—	Hose
26	1	—	Hose
27	9	601377	Fitting, 8-8
28	2	601250	Fitting, 8-8
29	1	611330	Fitting, 8-8

- Includes items 2-4.
 - ◆ See Cylinder page for parts breakdown.
 - See Valve page for parts breakdown.
- Reference: Common Parts Group 795075.

Cylinder Assembly



CL0128.eps



150D			
REF	QTY	PART NO.	DESCRIPTION
		6202776	Cylinder Assembly
1	1	561049	Nut
2	1	667609	Restrictor Cartridge ●
3	1	555023	Retainer
4	1	636855	▲ Wiper
5	1	662462	▲ Seal
6	1	558404	Piston
7	1	2785	▲ O-Ring
8	1	424764	Shell
9	1	424765	Rod
10	1	2801	▲ O-Ring
11	1	602580	Fitting
12	1	563977	▲ Back-Up Ring
13	1	554960	▲ Seal
14	1	638248	▲ Back-Up Ring
15	1	6513	■ Cotter Pin
16	1	677909	■ Retainer
17	1	677927	■ Nut
18	1	424766	Spacer
		557012	Service Kit

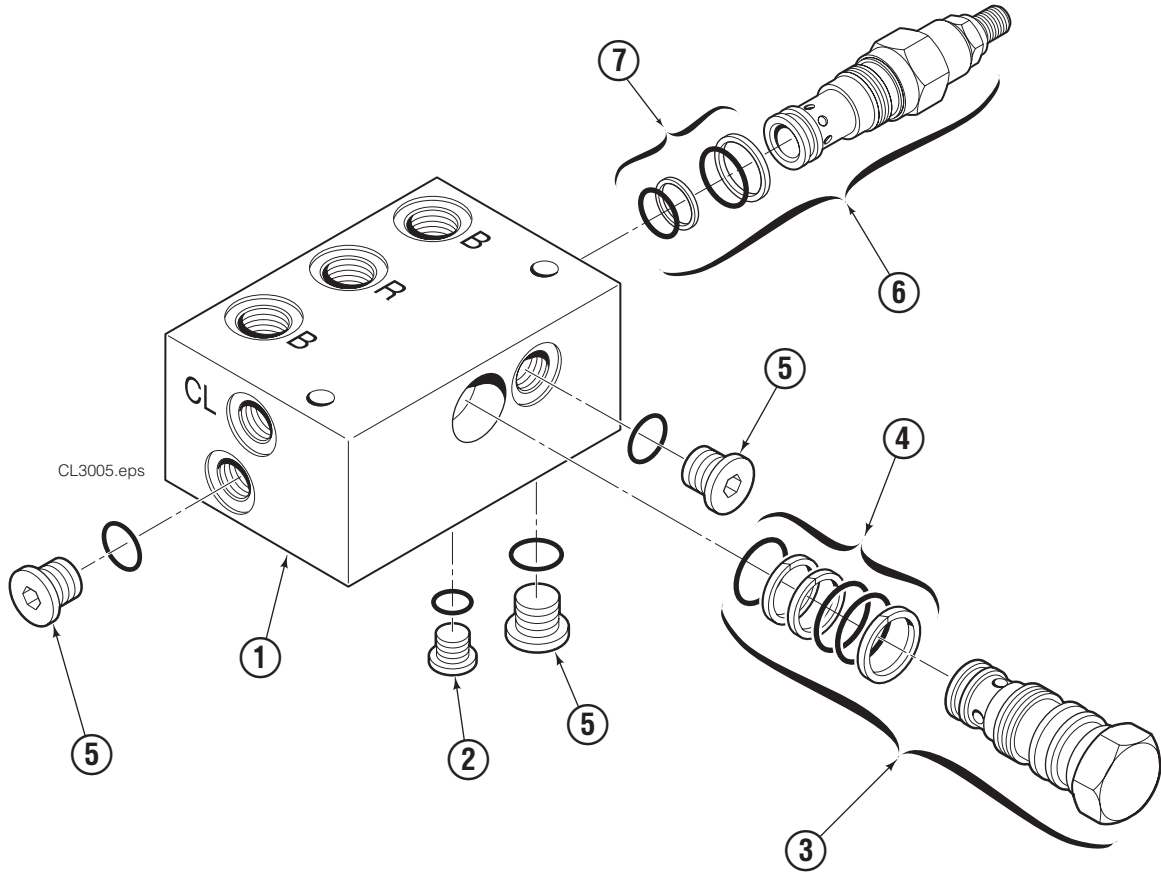
● See Restrictor Cartridge page for parts breakdown.

▲ Included in Service Kit 557012.

■ Included in Nut Service Kit 679608.

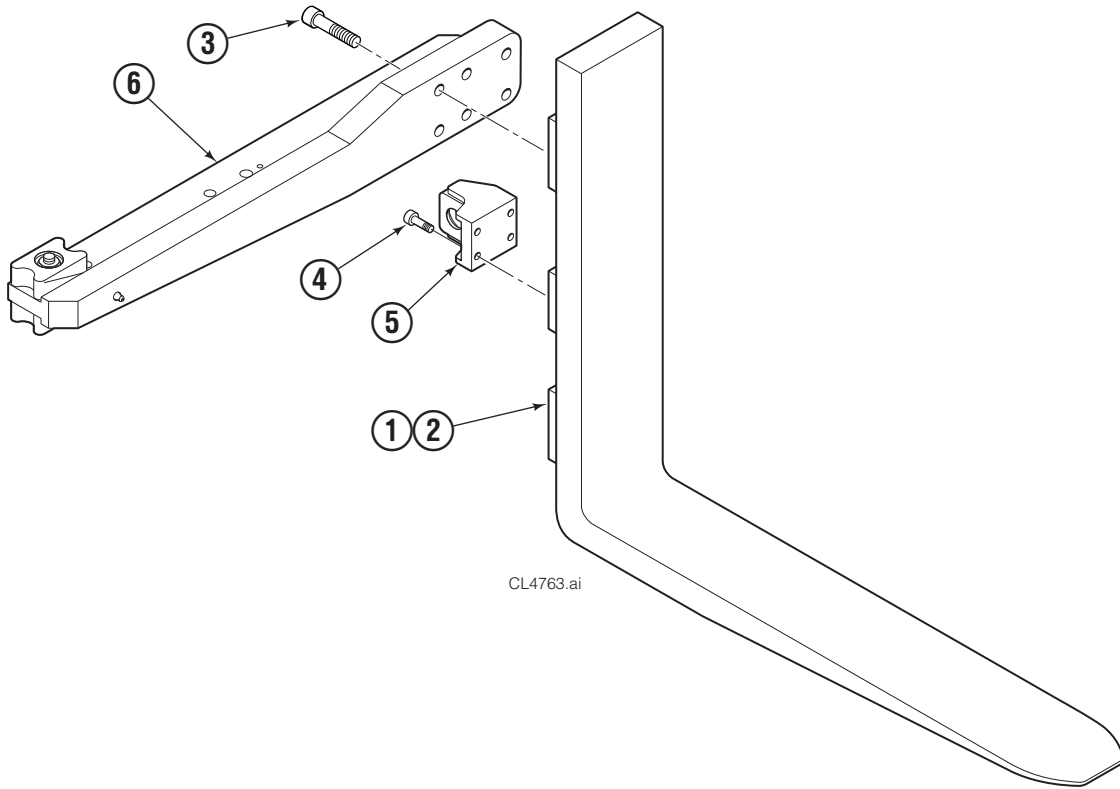
Reference: S-6112, S-6113.

Valve Assembly



70D			
REF	QTY	PART NO.	DESCRIPTION
		795226	Valve Assembly
1	1	795227	Valve Body
2	1	604510	Fitting, 6
3	1	661816	Check Valve – PO
4	1	656223	Service Kit
5	3	602580	Fitting, 8
6	1	677400	Crossover Relief Valve
7	1	684625	Service Kit
		676169	Valve Service Kit

Fork Group



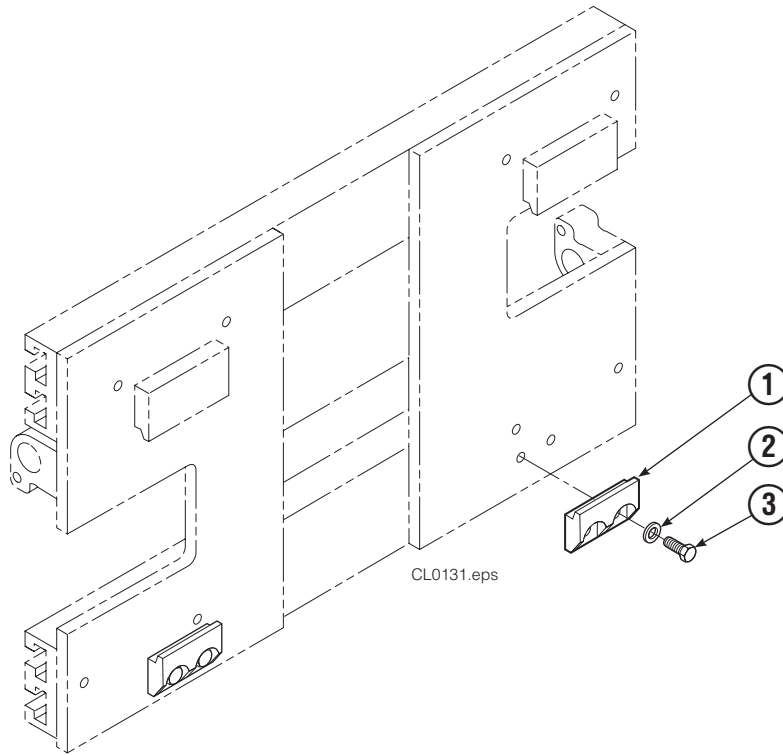
CL4763.ai

140D			
REF	QTY	PART NO.	DESCRIPTION
		6034276	Fork Group
1	1	6034276	Fork – RH
2	1	6034278	Fork – LH
3	24	607137	Capscrew, 1.00 x 2.50
4	8	769577	Capscrew, M16 x 50
5	2	6005858	Cylinder Anchor
6	4	6202988	Arm Bar ●

● Not included in Fork Group.

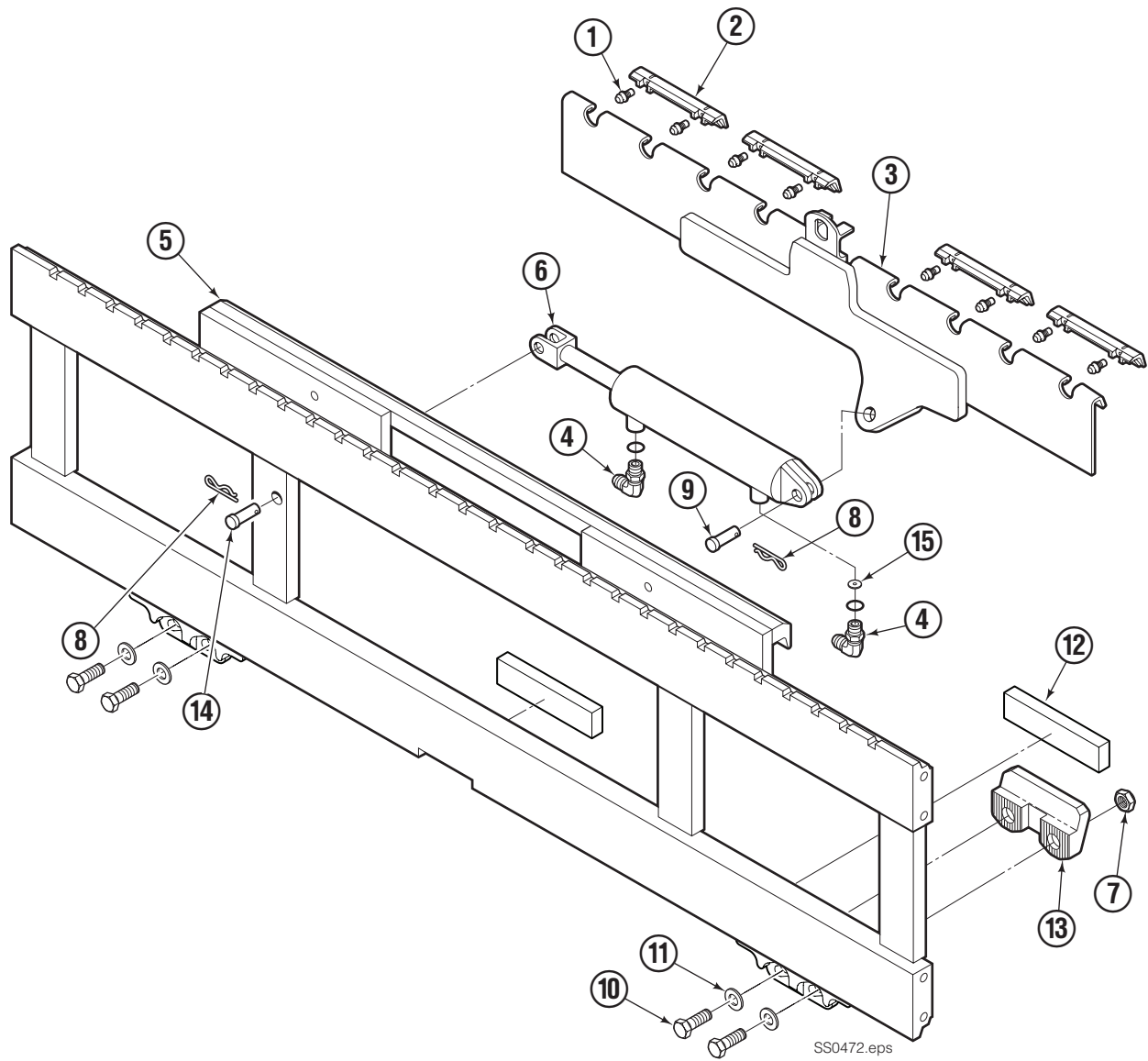
Reference: S-26966

Mounting Group



170D			
REF	QTY	PART NO.	DESCRIPTION
		796296	Mounting Group
1	2	679832	Lower Hook
2	4	670692	Washer
3	4	682095	Capscrew, M20 x 50

Sideshift Assembly



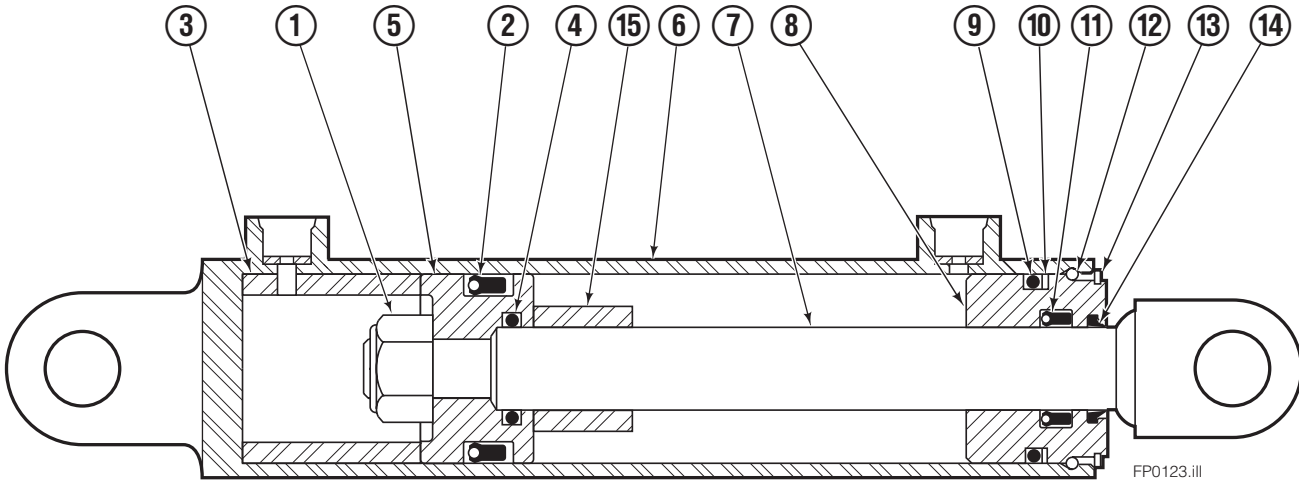
150D

REF	QTY	PART NO.	DESCRIPTION	REF	QTY	PART NO.	DESCRIPTION
		6211930	Sideshifter Assembly	9	1	686215	▲ Clevis Pin
1	8	7403	Grease Fitting	10	4	752903	● Capscrew, M16 x 45
2	4	672018	Bearing Segment	11	4	667225	● Washer
3	1	686240	Anchor Bracket	12	3	208350	Lower Bearing
4	2	601676	▲ Fitting, 6-6	13	2	6004779	● Lower Hook
5	1	798077	Faceplate ■	14	1	686214	▲ Clevis Pin
6	1	686243	Cylinder ◆	15	2	6024818	▲ Restrictor Washer
7	4	678990	● Nut, M16			672022	Service Kit – items 1 & 2
8	2	686217	▲ Cotter Pin			675856	Service Kit – item 12

- If the Faceplate needs replacing your best value is to order the complete Sideshift Assembly.
- ◆ See Cylinder page for parts breakdown.

- ▲ Included in Common Parts Group 6100729.
 - Included in Lower Hook Group 6106298.
- Reference: S-3421, S-3414, S-3430.

Sideshift Cylinder



REF	QTY	PART NO.	DESCRIPTION
		686243	Cylinder Assembly
1	1	561012	Nut
2	1	662457	◆ Seal
3	1	—	Spacer – Head
4	1	2718	◆ O-Ring
5	1	561427	Piston
6	1	6112525	Shell
7	1	6112526	Rod
8	1	561428	Retainer
9	1	2791	◆ O-Ring
10	1	615134	◆ Back-Up Ring
11	1	662449	◆ Seal
12	1	561429	Retaining Ring
13	1	7215	Snap Ring
14	1	626468	◆ Wiper
15	1	—	Spacer – Rod (S-5249)
		561430	Service Kit

◆ Included in Service Kit 561430.
 Reference: S-6053, S-6054.

Do you have questions you need answered right now?

Call your nearest Cascade Parts Department.

Visit us online at www.cascorp.com

AMERICAS

**Cascade Corporation
Parts Sales**

2501 Sheridan Ave.
Springfield, OH 45505
Tel: 888-CASCADE (227-2233)
Fax: 888-329-0234

Cascade Canada Inc.

5570 Timberlea Blvd.
Mississauga, Ontario
Canada L4W-4M6
Tel: 905-629-7777
Fax: 905-629-7785

Cascade do Brasil

Rua João Guerra, 134
Macuco, Santos - SP
Brasil 11015-130
Tel: 55-13-2105-8800
Fax: 55-13-2105-8899

EUROPE-AFRICA

**Cascade Italia S.R.L.
European Headquarters**

Via Dell'Artigianato 1
37050 Vago di Lavagno (VR)
Italy
Tel: 39-045-8989111
Fax: 39-045-8989160

Cascade (Africa) Pty. Ltd.

PO Box 625, Isando 1600
60A Steel Road
Sparton, Kempton Park
South Africa
Tel: 27-11-975-9240
Fax: 27-11-394-1147

ASIA-PACIFIC

Cascade Japan Ltd.

2-23, 2-Chome,
Kukuchi Nishimachi
Amagasaki, Hyogo
Japan, 661-0978
Tel: 81-6-6420-9771
Fax: 81-6-6420-9777

Cascade Korea

121B 9L Namdong Ind.
Complex, 691-8 Gojan-Dong
Namdong-Ku
Inchon, Korea
Tel: +82-32-821-2051
Fax: +82-32-821-2055

Cascade-Xiamen

No. 668 Yangguang Rd.
Xinyang Industrial Zone
Haicang, Xiamen City
Fujian Province
P.R. China 361026
Tel: 86-592-651-2500
Fax: 86-592-651-2571

**Cascade India Material
Handling Private Limited**

No 34, Global Trade Centre
1/1 Rambaugh Colony
Lal Bahadur Shastri Road,
Navi Peth, Pune 411 030
(Maharashtra) India
Phone: +91 020 2432 5490
Fax: +91 020 2433 0881

Cascade Australia Pty. Ltd.

1445 Ipswich Road
Rocklea, QLD 4107
Australia
Tel: 1-800-227-223
Fax: +61 7 3373-7333

Cascade New Zealand

15 Ra Ora Drive
East Tamaki, Auckland
New Zealand
Tel: +64-9-273-9136
Fax: +64-9-273-9137

**Sunstream Industries
Pte. Ltd.**

18 Tuas South Street 5
Singapore 637796
Tel: +65-6795-7555
Fax: +65-6863-1368

