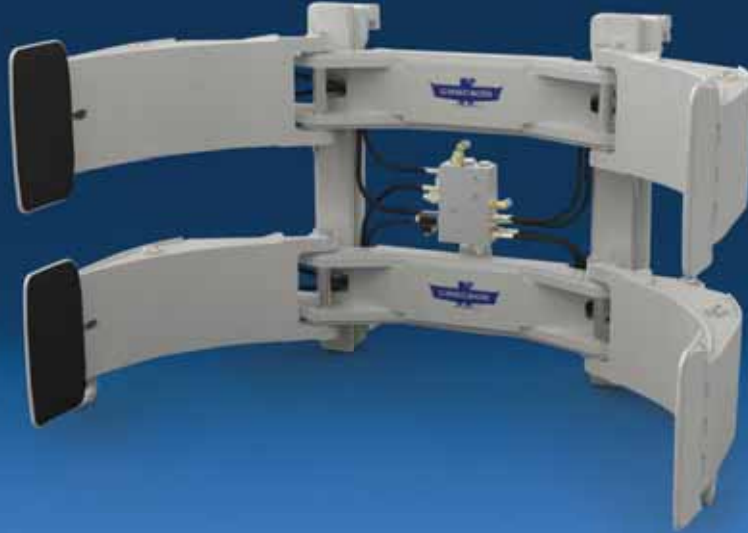


Excellent Manoeuvrability in Tight Stacking Applications



Excellent visibility



Thin arm profile



Equal arm length



Optional specialized pads
for handling



Optional Hydraulic Force
Control

APPLICATIONS

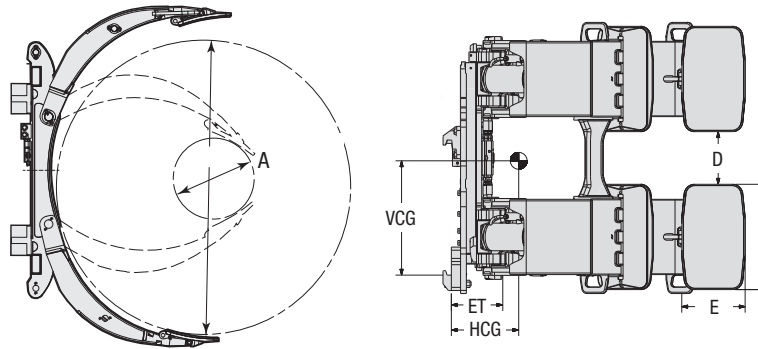
Designed for mills, stevedores and warehouses that do not require a revolving clamp. Excellent for tight stacking of rolls in trailers, lorries and boxcars.

FEATURES

- Open frame design for excellent visibility over and through the clamp.
- Equal arm length for optimized handling because roll is centered in the clamp.
- Thin arm profile to knife between stacked rolls.
- Split arm circuit.
- Flow divider provides equal arm movement.

OPTIONS

- Adaptive Force Control (AFC).
- Specialized pads such as the flexipad for improved handling of newsprint.



Equal Arm/Non Revolving

Catalogue Order No.	Capacity @ Load Centre	Roll Range		Min. Truck Carriage Width	Weight	Effective Thickness	Horizontal Centre of Gravity	Vertical Centre of Gravity	Mounting Class	Frame Width	Pad Height (split)	Pad Gap	Pad Width
		A (min.)	B (max.)										
	kg@mm				kg	ET	HCG	VCG			C	D	E
18H-RSQ-A01	2000@580	350	1150	Consult Cascade	385	80	220	300					
18H-RSQ-A02	1800@650	300	1300		410	80	230	300					
18H-RSQ-A04	1600@700	250	1400		430	80	245	300					
20H-RSQ-B01	2250@580	350	1150	Consult Cascade	405	80	230	335					
20H-RSQ-B02	2000@650	300	1300		430	80	240	335					
20H-RSQ-B04	1850@700	250	1400		450	80	255	335					
25H-RSQ-B02	2500@650	250	1300	Consult Cascade	540	115	265	433					
25H-RSQ-B04	2300@700	250	1400		555	115	280	433					
25H-RSQ-B06	2100@760	250	1525		575	115	300	433					
30H-RSQ-B02	3000@650	300	1300	Consult Cascade	545	115	265	433					
30H-RSQ-B04	2800@700	250	1400		560	115	280	433					
30H-RSQ-B06	2600@760	250	1525		580	115	300	433					
30H-RSQ-B08	2500@800	250	1600		600	115	315	433			Consult Cascade		
30H-RSQ-B09	2200@920	250	1830		670	115	350	433					
33H-RSQ-B02	3500@650	300	1300	Consult Cascade	555	115	265	433					
33H-RSQ-B04	3300@700	250	1400		570	115	280	433					
33H-RSQ-B06	3000@760	250	1525		590	115	300	433					
33H-RSQ-B08	2850@800	250	1600		610	115	315	433					
33H-RSQ-B09	2500@920	250	1830		680	115	350	433					
35H-RSQ-C02	4100@650	300	1300	Consult Cascade	970	130	255	412					
35H-RSQ-C04	3800@700	250	1400		985	130	270	412					
35H-RSQ-C06	3500@760	250	1525		1005	130	290	412					
35H-RSQ-C08	3300@800	250	1600		1025	130	305	412					
35H-RSQ-C09	2900@920	250	1830		1095	130	340	412					
40H-RSQ-C02	4700@650	350	1300	Consult Cascade	980	130	255	412					
40H-RSQ-C04	4300@700	350	1400		990	130	270	412					
40H-RSQ-C06	4000@760	260	1525		1010	130	290	412					
40H-RSQ-C08	3800@800	260	1600		1030	130	305	412					
40H-RSQ-C09	3300@920	260	1830		1100	130	340	412					
45H-RSQ-C02	5300@650	350	1300	Consult Cascade	1035	140	245	400					
45H-RSQ-C04	4900@700	350	1400		1050	140	260	400					
45H-RSQ-C06	4500@760	300	1525		1065	140	280	400					
45H-RSQ-C08	4300@800	250	1600		1085	140	295	400					
45H-RSQ-C09	3700@920	250	1830		1155	140	330	400			Consult Cascade		
50H-RSQ-C02	5900@650	350	1300	Consult Cascade	1035	140	245	400					
50H-RSQ-C04	5400@700	350	1400		1050	140	260	400					
50H-RSQ-C06	5000@760	350	1525		1065	140	280	400					
50H-RSQ-C08	4800@800	300	1600		1085	140	295	400					
50H-RSQ-C09	4200@920	300	1830		1155	140	330	400					
55H-RSQ-C02	6500@650	400	1300	Consult Cascade	1035	140	245	400					
55H-RSQ-C04	6000@700	350	1400		1050	140	260	400					
55H-RSQ-C06	5500@760	350	1525		1065	140	280	400					
55H-RSQ-C08	5200@800	300	1600		1085	140	295	400					
55H-RSQ-C09	4600@920	300	1830		1155	140	330	400					

► Model shown is with Herringbone contact pads. Other pads are available, consult Cascade. ► Non revolving unit. May be mounted on a Cascade Sideshifter.

Cascade (UK) Ltd • 3 Kelbrook Road • Parkhouse Industrial Estate • Openshaw • Manchester M11 2DD • England • Tel. +44 (0) 161 438 4010 • Fax +44-(0)161 438 4055
 Cascade Benelux/Parts Depot • Damsluisweg 56 • PO Box 3009 • 1300 EL Almere, The Netherlands • Tel +31 036 54 92 950 • Fax +31 (0) 36 54 92 974
 Cascade European Headquarters • Cascade Italia S.r.l. • Via Dell'Artigianato 1 • 37030 Vago di Lavagno (VR) • Italy • Tel. +39-045-8989111 • Fax +39-045-8989160