



Parts Manual

For units with serial#

1263848 • 1166359 • 1175674
1173197 • 1202060 • 1198996

Application Engineering Department Special Product

300G-DFI-824C Digital Clamp Force Indicator

c/w Powersonic Digital Panel Meter

Frame 44.89"

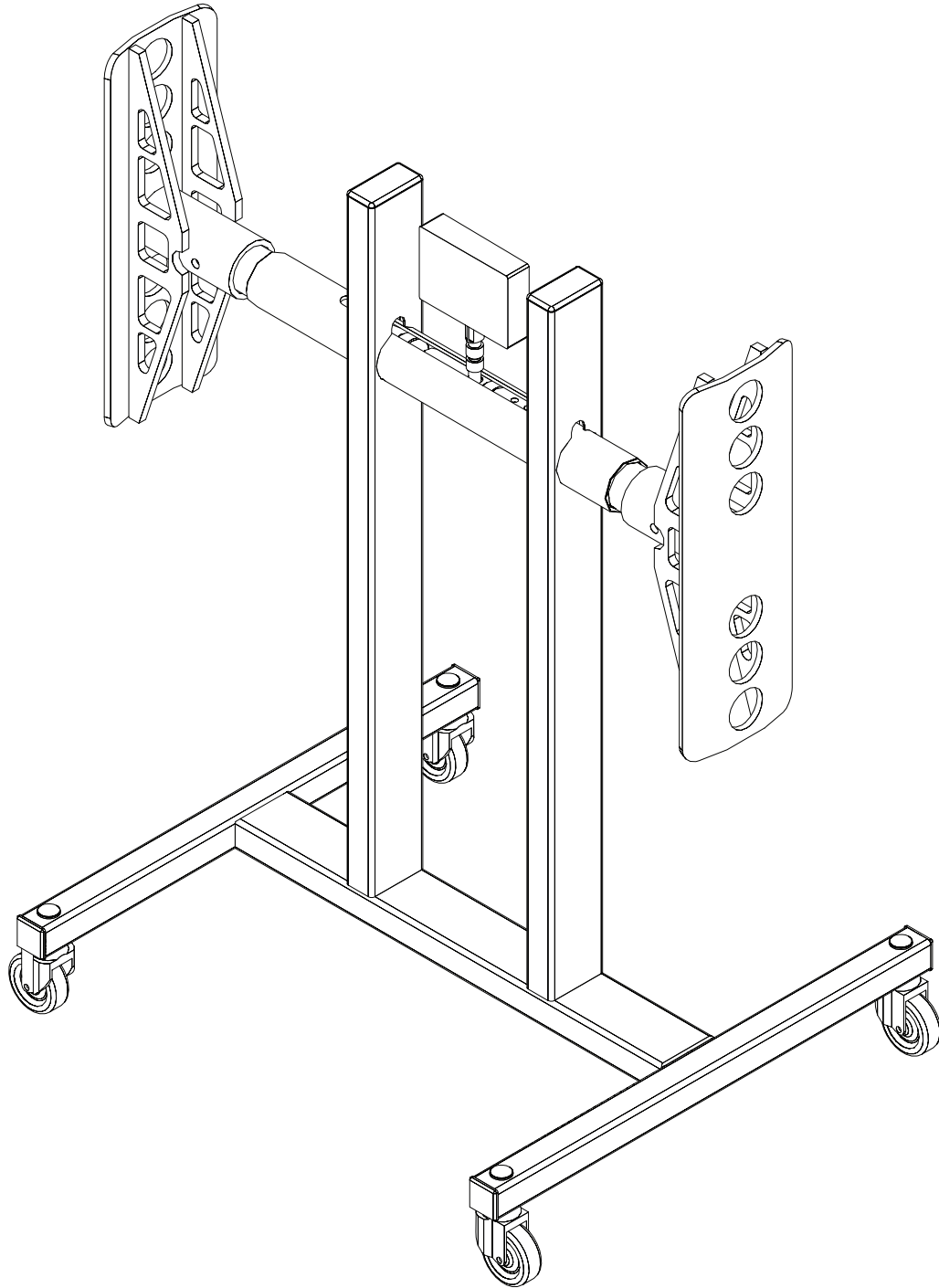
Pads 8 x 24" Curved

cascade®

Cascade is a Registered Trademark of Cascade Corporation

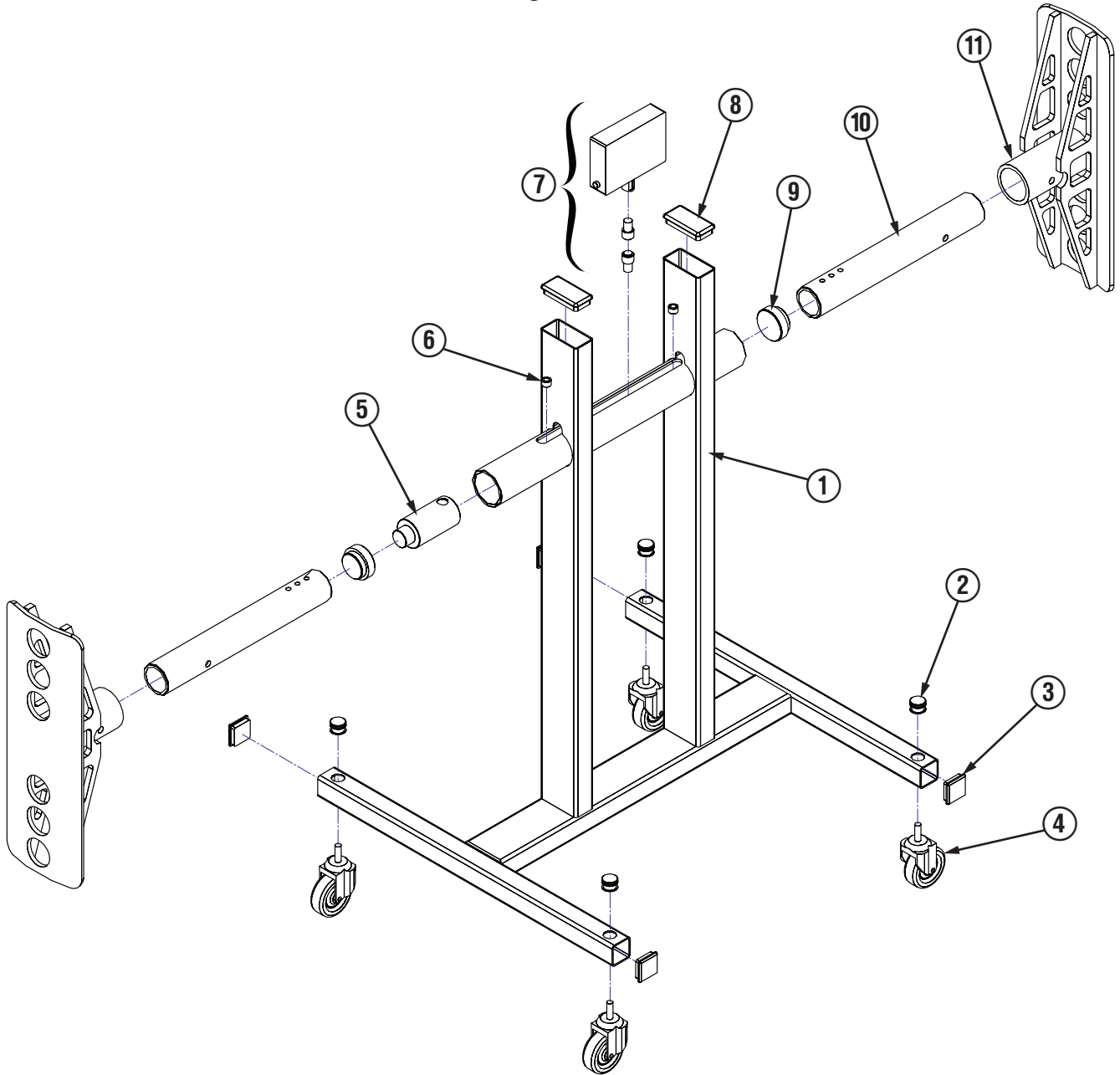
300G-DFI-824C

Special Digital Clamp Force Indicator
with Powersonic Digital Panel Meter



300G-DFI-824C

Special Digital Clamp Force Indicator with Digital Panel Meter



REF	QTY	PART NO	DESCRIPTION	REF	QTY	PART NO	DESCRIPTION
		1113228	300G-DFI-824C	6	2	1106525	Stopper
1	1	1112832	Frame 44.89"	7	1	1114835	CAS-PDMO2 Digital Panel Meter
2	4	1109031	Ø 1.125 Round Plug, McMaster	8	2	1112835	Cap Plug RC2010-I
3	4	1109030	Square Plug	9	2	830694	Pressure Plate
4	4	1106524	Threaded-Stem Caster McMaster	10	2	1112837	Inner Tube
5	1	1106515	Enerpac RC 151 Cylinder	11	2	831437	8 x 24 Curved Pad

(left intentionally blank)

Zero Setting For Cascade Pressure Meter.

To zero out the reading follow the following Steps.

- a) Ensure the minimum input (Zero Input) is applied to the transducer.
- b) Keep on briefly pressing "Enter" button till "CALIB" appears on the screen.
- c) Press "UP" button. This will display "Lo-SEt" On the screen.
- d) Hold down "DOWN" with one finger, wait 1 second and press "ENTER" with another. Wait 1 sec and release "ENTER" but keep holding "DOWN" for 1 sec more and release it. This will zero out the reading.
- e) Test again by applying pressure and releasing it. If still it is not zero repeat the above process.
- f) Finally you have to save the settings. For which briefly keep on pressing "ENTER" till "StorE" Displays on the screen. When it appears, press "UP". The settings will be stored automatically.

Do you have questions you need answered right now?

Call your nearest Cascade Parts Department.

Visit us online at www.cascorp.com

AMERICAS

**Cascade Corporation
Parts Sales**
2501 Sheridan Ave.
Springfield, OH 45505
Tel: 888-CASCADE (227-2233)
Fax: 888-329-0234

Cascade Canada Inc.
5570 Timberlea Blvd.
Mississauga, Ontario
Canada L4W-4M6
Tel: 905-629-7777
Fax: 905-629-7785

Cascade do Brasil
Rua João Guerra, 134
Macuco, Santos - SP
Brasil 11015-130
Tel: 55-13-2105-8800
Fax: 55-13-2105-8899

EUROPE-AFRICA

**Cascade Italia S.R.L.
European Headquarters**
Via Dell'Artigianato 1
37050 Vago di Lavagno (VR)
Italy
Tel: 39-045-8989111
Fax: 39-045-8989160

Cascade (Africa) Pty. Ltd.
PO Box 625, Isando 1600
60A Steel Road
Sparton, Kempton Park
South Africa
Tel: 27-11-975-9240
Fax: 27-11-394-1147

ASIA-PACIFIC

Cascade Japan Ltd.
2-23, 2-Chome,
Kukuchi Nishimachi
Amagasaki, Hyogo
Japan, 661-0978
Tel: 81-6-6420-9771
Fax: 81-6-6420-9777

Cascade Korea
121B 9L Namdong Ind.
Complex, 691-8 Gojan-Dong
Namdong-Ku
Inchon, Korea
Tel: +82-32-821-2051
Fax: +82-32-821-2055

Cascade-Xiamen
No. 668 Yangguang Rd.
Xinyang Industrial Zone
Haicang, Xiamen City
Fujian Province
P.R. China 361026
Tel: 86-592-651-2500
Fax: 86-592-651-2571

**Cascade India Material
Handling Private Limited**
No 34, Global Trade Centre
1/1 Rambaugh Colony
Lal Bahadur Shastri Road,
Navi Peth, Pune 411 030
(Maharashtra) India
Phone: +91 020 2432 5490
Fax: +91 020 2433 0881

Cascade Australia Pty. Ltd.
1445 Ipswich Road
Rocklea, QLD 4107
Australia
Tel: 1-800-227-223
Fax: +61 7 3373-7333

Cascade New Zealand
15 Ra Ora Drive
East Tamaki, Auckland
New Zealand
Tel: +64-9-273-9136
Fax: +64-9-273-9137

**Sunstream Industries
Pte. Ltd.**
18 Tuas South Street 5
Singapore 637796
Tel: +65-6795-7555
Fax: +65-6863-1368

